

PX-1-418

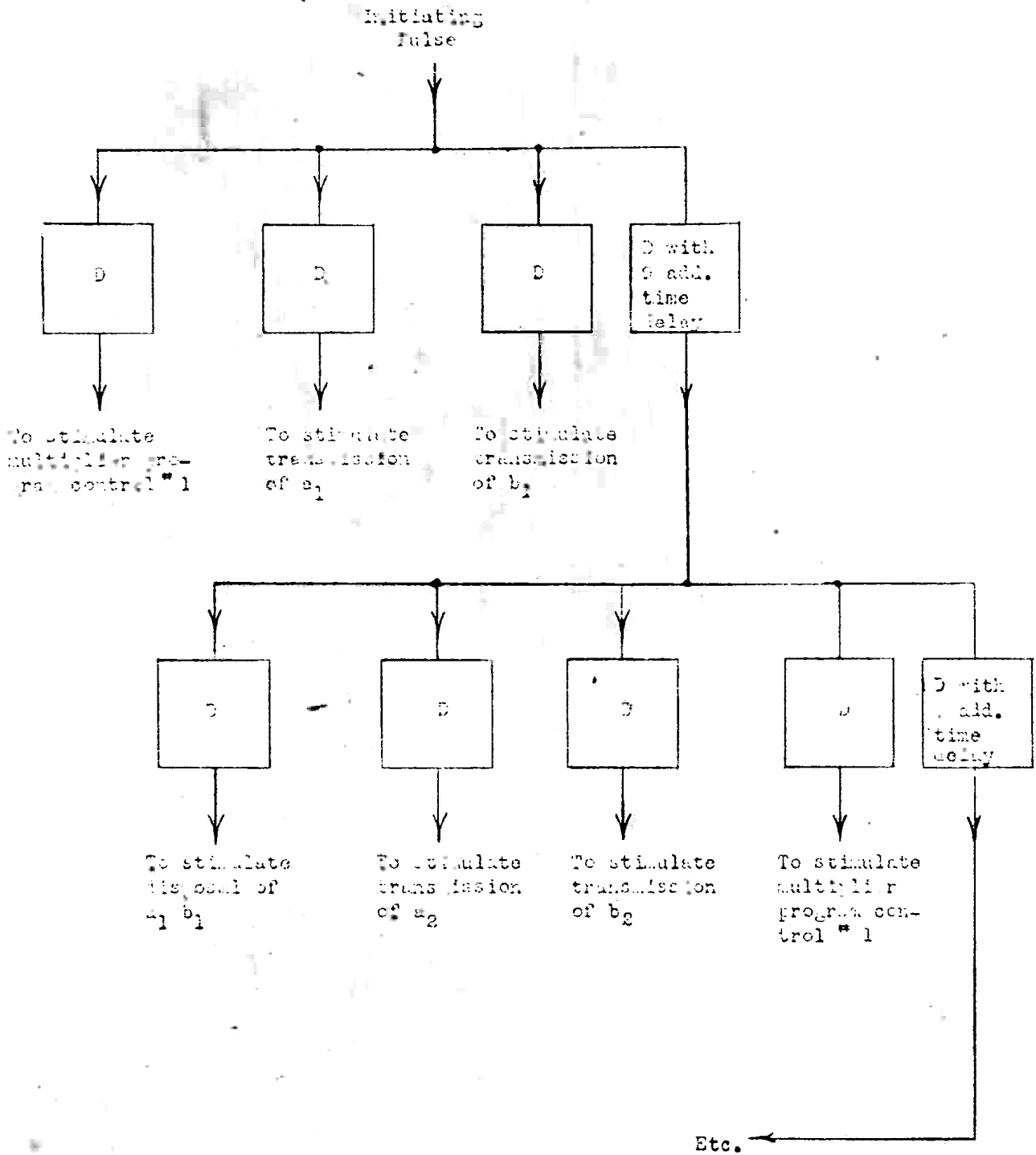


Fig. 1-6

Use of a chain of relay program controls to make possible the repeated use of a single multiplier program control

MINN. C.A. 4-67

PLAINTIFF'S EXHIBIT No 222

01534