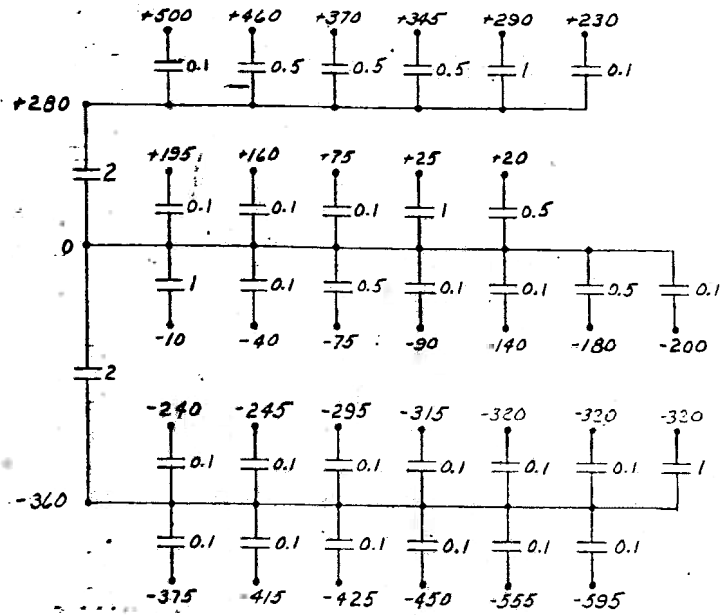
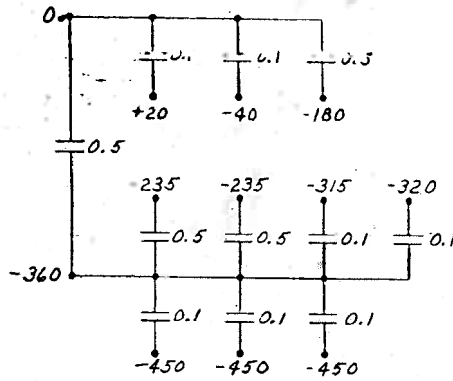


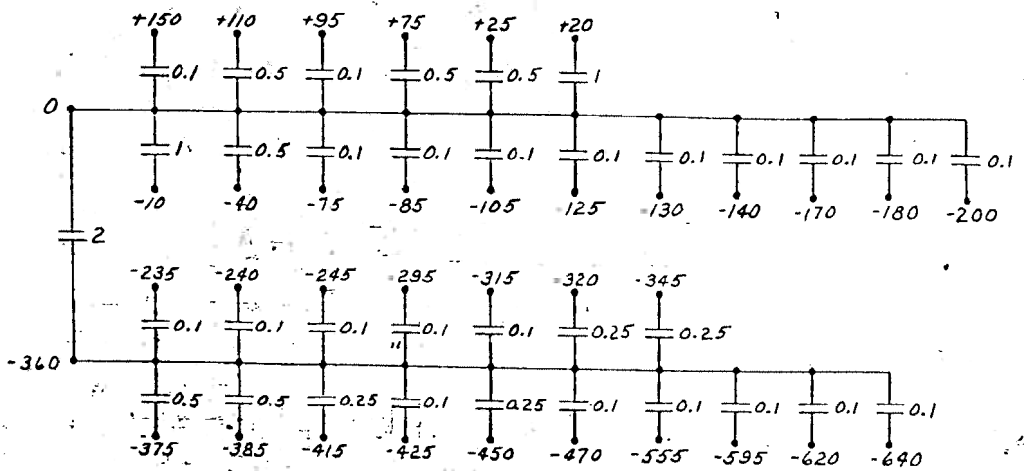
GATE CHASSIS: PX-10-106



GATE CHASSIS: PX-10-105



SOCKET PANEL: PX-10-107



MOORE SCHOOL OF ELECTRICAL ENGINEERING
UNIVERSITY OF PENNSYLVANIA

DIV. BY-PASSING CONDENSER WIRING (SCHEMATIC)

MATERIAL

DRAWN BY: CUMC	CHECKED BY: 	APPROVED BY:
DEC. 17, 1945	1/3/46	
PX-10-118		