

1 THRU 5 BLANK

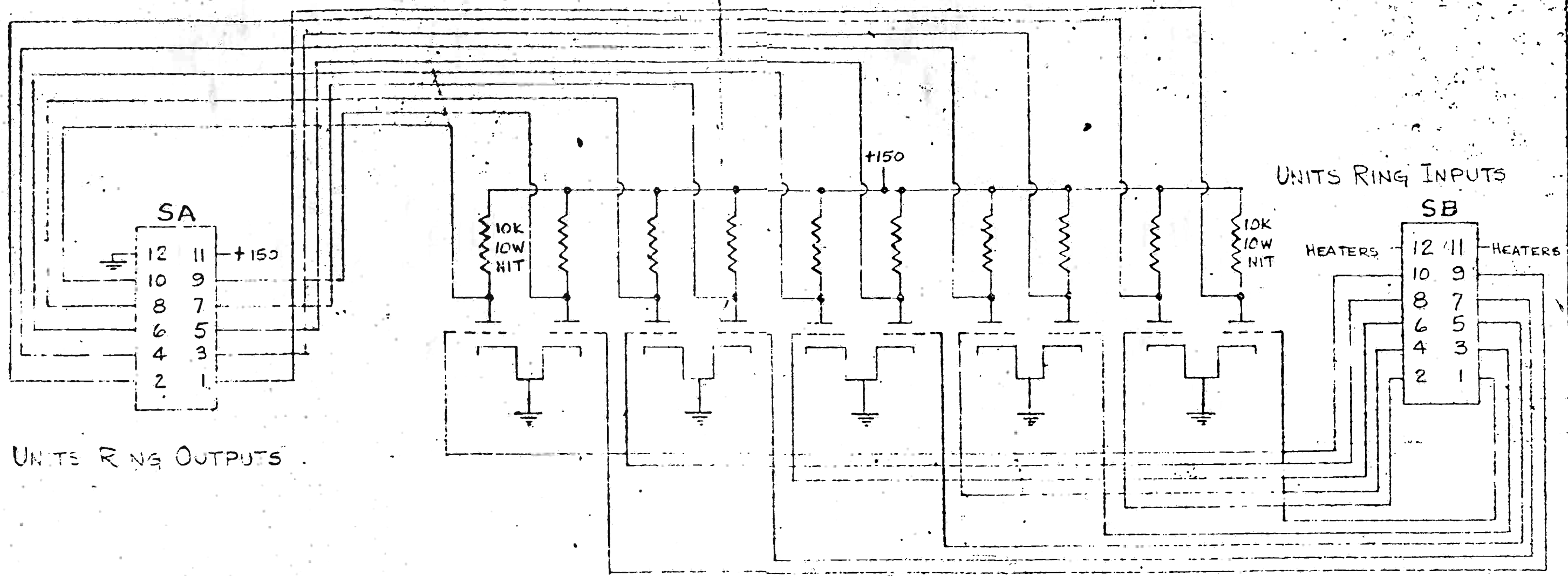
6

7

8

9

10



LOCATED IN CONSTANT TRANSMITTER PANEL 1. POSITION E-6 THRU 10

002441

SYM	DESCRIPTION	DATE	APPROVAL

PHYSICAL PROPERTIES		UNLESS OTHERWISE SPECIFIED DIMENSIONS ARE IN INCHES		ORIGINAL DATE OF DRAWING Aug 4, 1953		PLUG IN BOOSTER MAGNETIC STATIC MEMORY ADDRESS SELECTOR UNITS RING		ORDNANCE CORPS DEPT OF THE ARMY	
YP		TOLERANCES ON DECIMALS		DRAFTSMAN ALD	CHECKER				
TS		ANGLES FRACTIONS		TRACER	CHECKER	SCALE N. N. UNIT WT		ORDNANCE CORPS DEPT OF THE ARMY	
EL 2		MATERIAL		ENGINEER	ENGINEER				
RA		HEAT TREATMENT		SUBMITTED		PX-11-130		SHEET OF	
BH		FINAL PROTECTIVE FINISH		APPROVED BY ORDER OF THE CHIEF OF ORDNANCE					
RM									
NEXT ASSY		USED ON							
APPLICATION									
DO NOT APPLY PART NO.									
DO AS SPECIFIED									