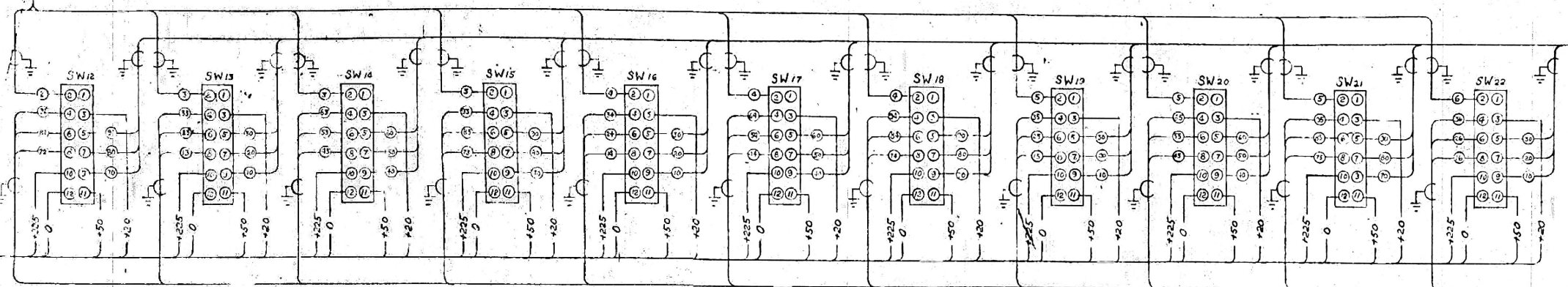


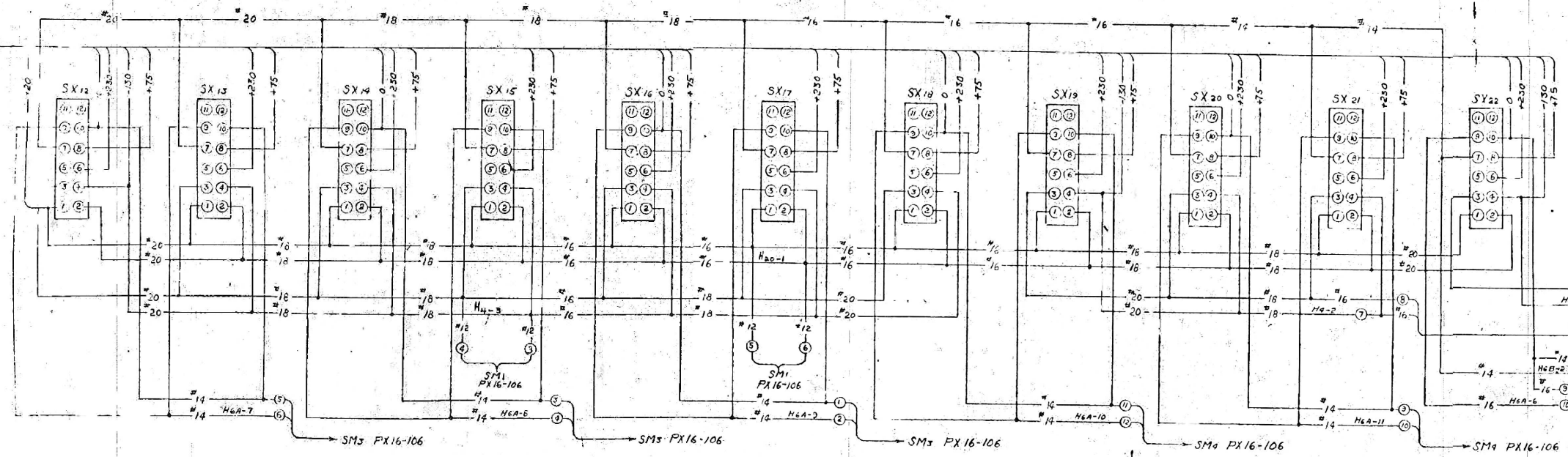
PX 16-103  
 CONTINUATION  
 SEE PX 16-103

FOR CONTINUATION  
 SEE PX 16-103

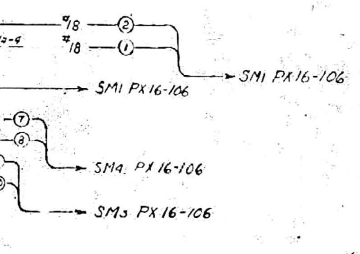


FOR CONTINUATION  
 SEE PX 16-104

SW	
1	/
2	GATE INPUT
3	+20
4	OUTPUT #3
5	PULSE INPUT #3
6	OUTPUT #2
7	PULSE INPUT #2
8	OUTPUT #1
9	PULSE INPUT #1
10	+225
11	+150
12	0



SX	
1	+20 (H20)
2	H20
3	H4
4	-130 (H4)
5	/
6	+230
7	H6B
8	+75
9	H6A
10	0, H6A, H6B
11	/
12	/



MOORE SCHOOL OF ELECTRICAL ENGINEERING  
 UNIVERSITY OF PENNSYLVANIA

CONVERTER TRANSMITTER SOCKET PANEL B

SCALE

DRAWN BY: C. SHEPHERD  
 3-5-47

CHECKED BY: R. W. ...  
 9-13-47

APPROVED BY: L. P. ...  
 9/30/47

PX-16-104