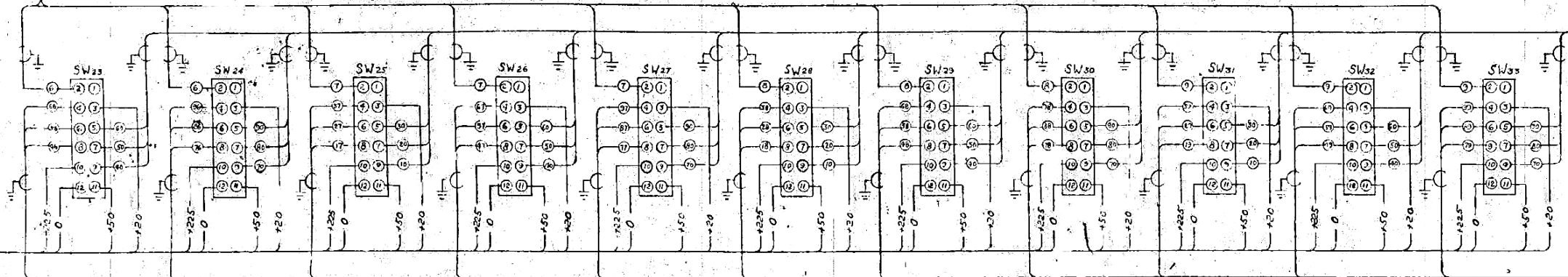


PX 16-105
 FOR CONTINUATION
 See PX 16-103

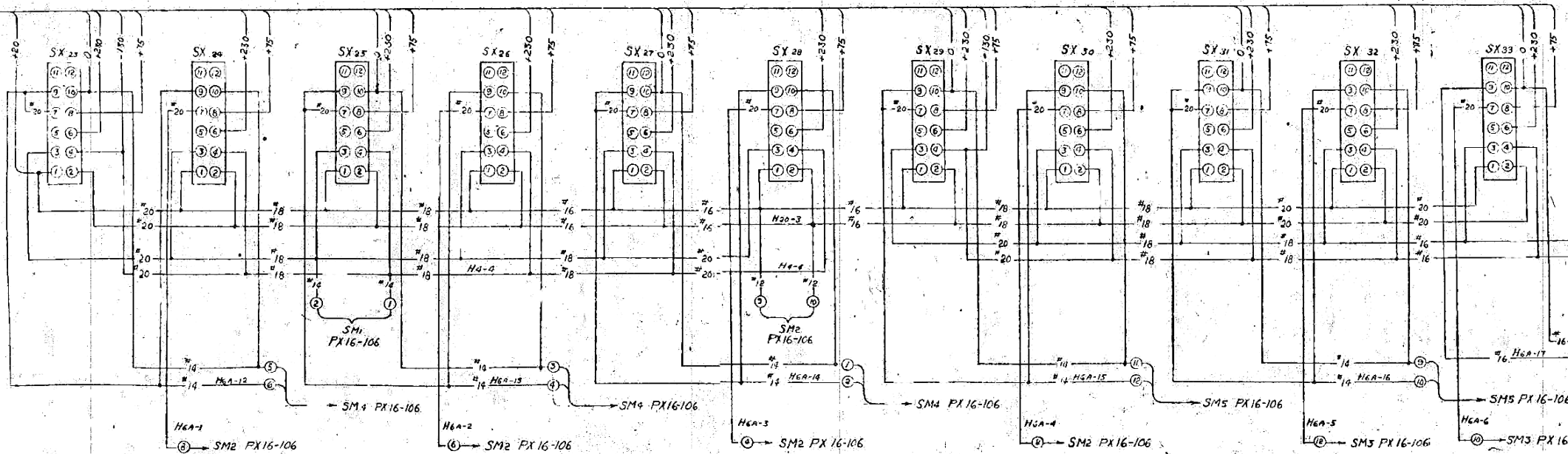
FOR CONTINUATION
 See PX 16-103



FOR CONTINUATION
 See PX 16-107

SW

1	/
2	GATE INPUT
3	+20
4	OUTPUT #3
5	PULSE INPUT #3
6	OUTPUT #2
7	PULSE INPUT #2
8	OUTPUT #1
9	PULSE INPUT #1
10	+225
11	+50
12	0



SX

1	+20 H20
2	H20
3	H4
4	-15n H4
5	/
6	+230
7	H2B
8	+75
9	H4A
10	0, H4A, H2B
11	/
12	/

MOORE SCHOOL OF ELECTRICAL ENGINEERING
 UNIVERSITY OF PENNSYLVANIA

CONVERTER TRANSMITTER SOCKET PANEL C

SCALE

DRAWN BY C. SHEPHERD 9-8-47	CHECKED BY R. H. ... 9-13-47	APPROVED BY L. P. TABAK 9/20/47	PX-16105
-----------------------------------	------------------------------------	---------------------------------------	----------