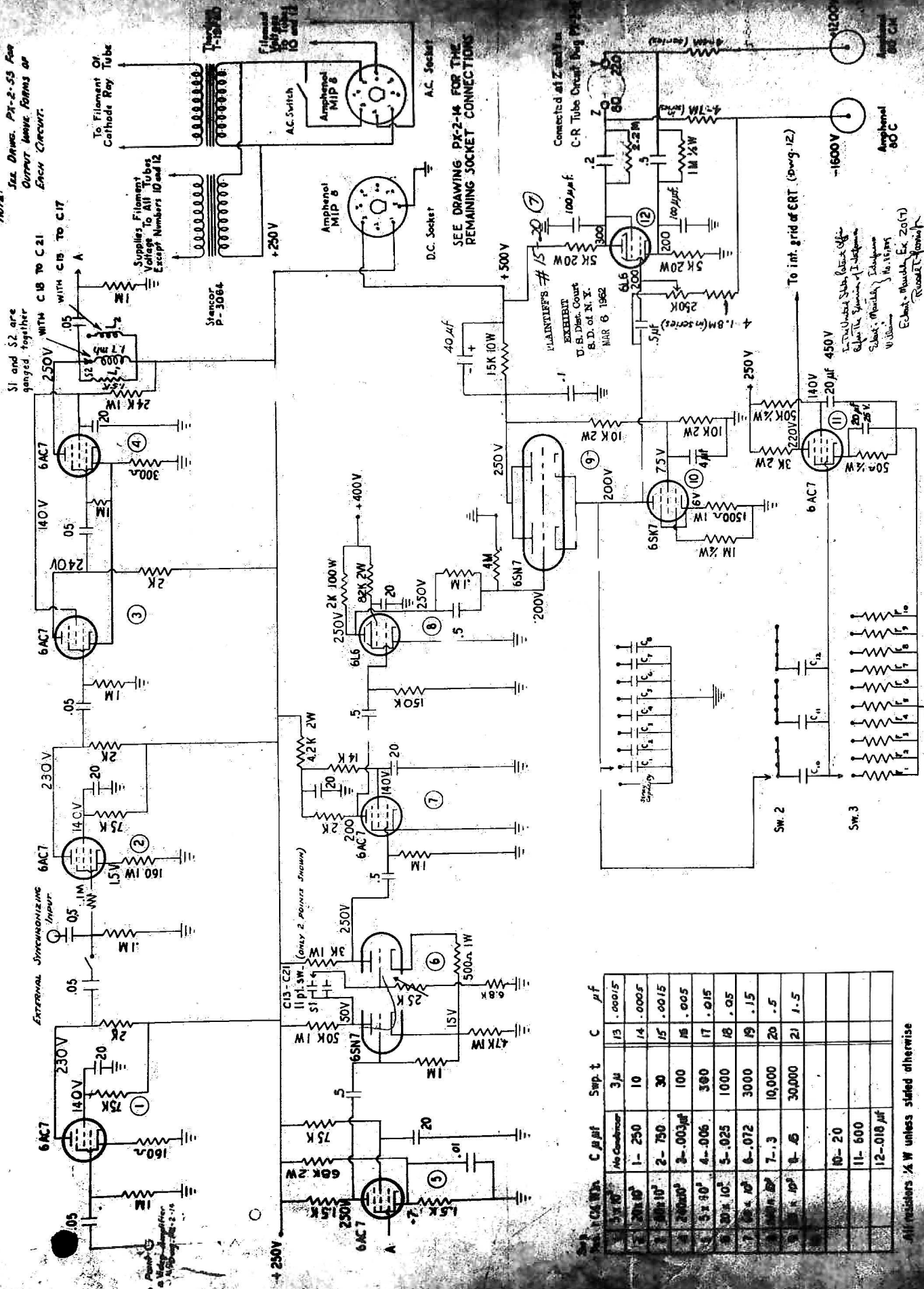


Note: See Drawings PX-2-55 For Output Wave Forms of Each Circuit.



SEE DRAWING PX-2-14 FOR THE REMAINING SOCKET CONNECTIONS

Connected at Z as in C-R Tube Output Plug Pin 1

PLAINTIFFS #15-20  
D. B. Dist. Court  
B.D. of N. X.  
MAR 6 1962

To int. grid of CRT (p.w.g.-12)

1. Unlabeled Switch Rates Off -  
2. The Operation of I-Inductor  
3. Switch, Manually, Inductor  
4. Switch, Manually, Ex. 20(1)  
5. Reset, Manually

SW 1

C, µf	C, pf	Sep. t	C
3 µ	13 .00015		
10	14 .0005		
30	15 .0015		
100	16 .005		
300	17 .015		
1000	18 .05		
3000	19 .15		
10,000	20 .5		
30,000	21 1.5		
10-20			
11-600			
12-010 µf			

All resistors 1/4 W unless stated otherwise

MOORE SCHOOL OF ELECTRICAL ENGINEERING  
UNIVERSITY OF PENNSYLVANIA  
PROJECT PX

Drawn by: Santa Maria  
Aug 27, 1943

WIRE BY  
TESTED BY

SWEET CIRCUIT