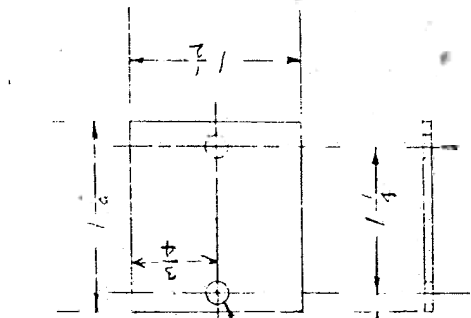
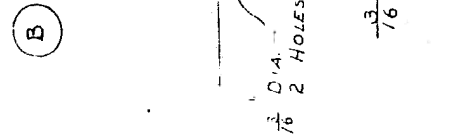
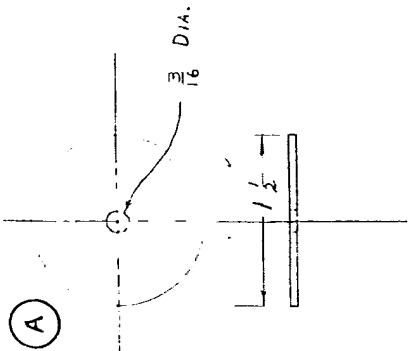
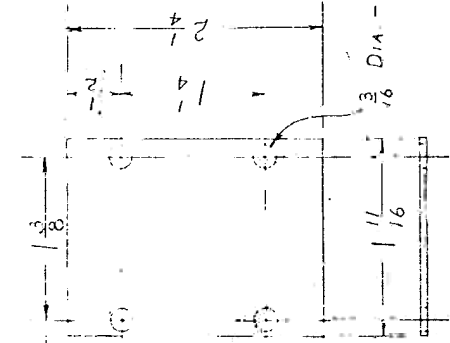


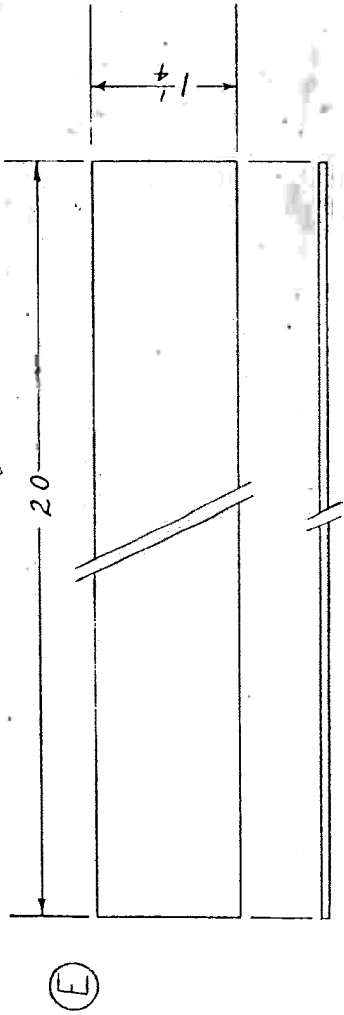
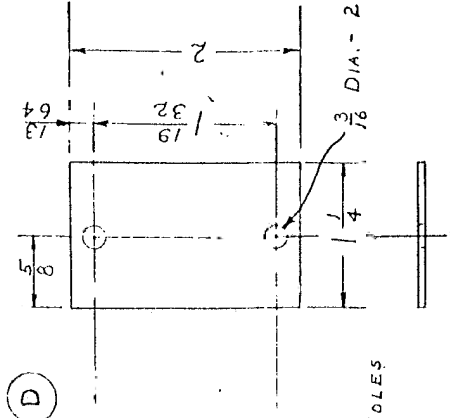
S8 COIL PLATE



S-312 COVER PLATE



P-40 COVER PLATES
S-404



VARIATIONS ON FINISHED DIMENSIONS (UNLESS OTHERWISE MARKED)

BASIC DIMENSIONS	FRACTIONAL DIMENSIONS	DECIMAL DIMENSIONS
UP TO 1/2	± 1/128	± .005
ABOVE 1/2 TO 6	± 1/64	± .005
Above 6 TO 24	± 1/32	± .010
ABOVE 24	± 1/16	± .015

ALL DIMENSIONS ARE IN INCHES.
USE FIGURED DIMENSIONS - DO NOT SCALE.

MOORE SCHOOL OF ELECTRICAL ENGINEERING
UNIVERSITY OF PENNSYLVANIA

SOCKET COVER PLATES

MATERIAL	FINISH	SCALE
0.0375 SHEET STEEL	WRINKLED BLACK	APPROX. FULL SIZE
Drawn by: CJM	Checked by: J. J. Smith	Approved by: J. J. Smith
Aug. 6, 1944	8-7-44	8-7-44

PY-3-232