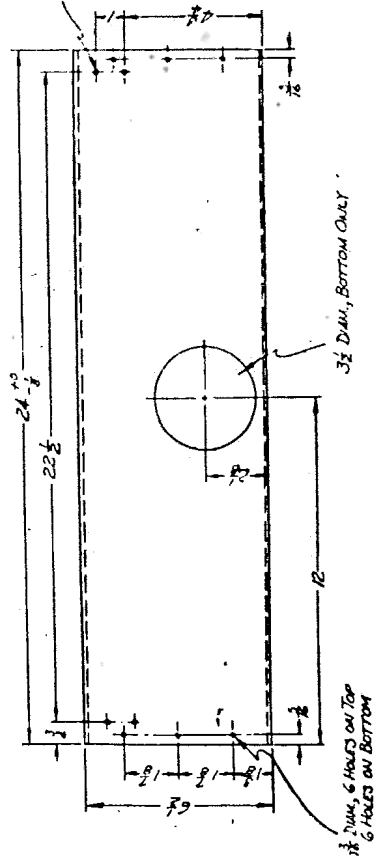
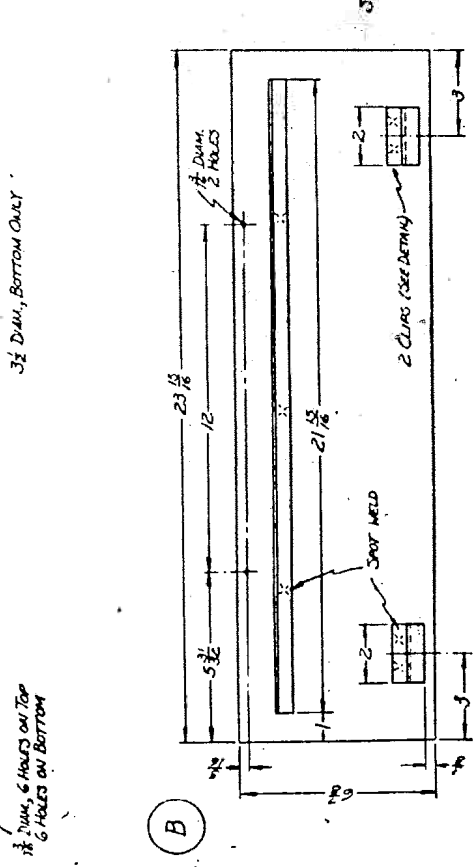


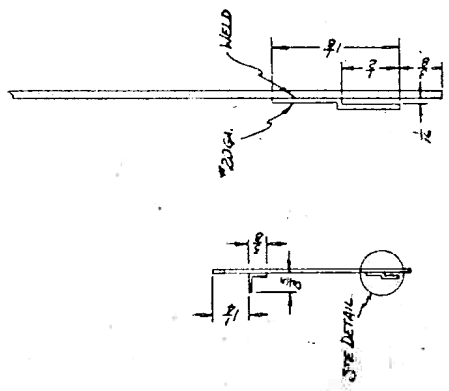
6 DIA. HOLES (MIN. 2" & 4" SPACING) TO PREVENT HOLES FROM NEAR FACE FOR 1/8" DIA. HOLES ON BOTTOM ONLY.



1 1/2" DIA. HOLES ON TOP & 6 HOLES ON BOTTOM



TRAY COVER SECTION



DETAIL OF CLIP FULL SCALE

VARIATIONS ON FINISHED DIMENSIONS (UNLESS OTHERWISE MARKED)		
BASIC DIMENSIONS	FRACTIONAL DIMENSIONS	DECIMAL DIMENSIONS
UP TO 1/4	± 1/128	± .005
ABOVE 1/4 TO 6	± 1/64	± .005
ABOVE 6 TO 24	± 1/32	± .010
ABOVE 24	± 1/16	± .015

ALL DIMENSIONS ARE IN INCHES
USE FIGURED DIMENSIONS - DO NOT SCALE

MOORE SCHOOL OF ELECTRICAL ENGINEERING
UNIVERSITY OF PENNSYLVANIA

CABLE TRAY

SCALE 1/2 FULL SCALE 1/8 GA SHEET STEEL

DRAWN BY J.E. CAWELL
CHECKED BY J.H.C.
3-15-47

PX-3-287