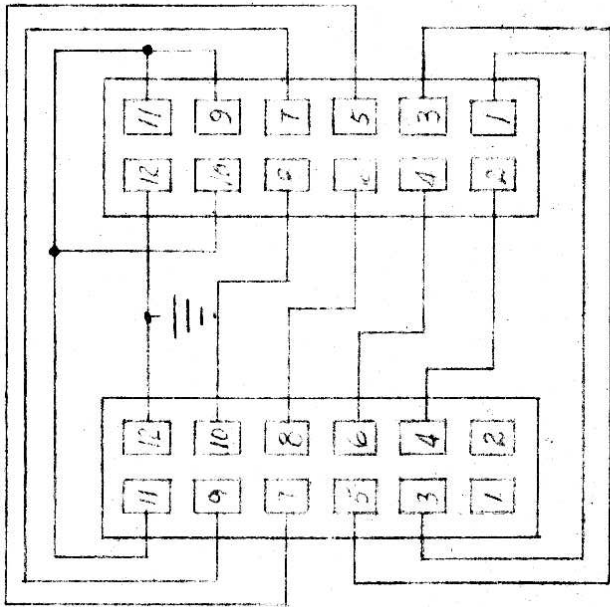


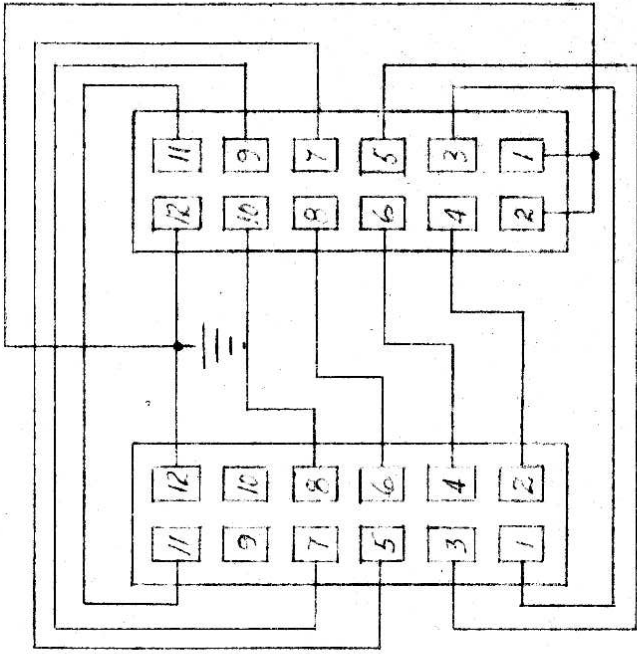
-2 SHIFTER



S

P

+2 SHIFTER



S

P

MOORE SCHOOL OF ELECTRICAL ENGINEERING
UNIVERSITY OF PENNSYLVANIA

SHIFTER (-2 & +2)

MATERIAL

FINISH

SCALE

Drawn by:

MSM

OCT 28 / 1944

Checked by:

H. Gail

6 June, 1944

Approved by:

RFD

10/30/44

PX-4-104A

REVISIONS
DRAWING NUMBER PX-4-104A
SENT FINAL REVISION
RFAK 7/2/45

1

REVISIONS