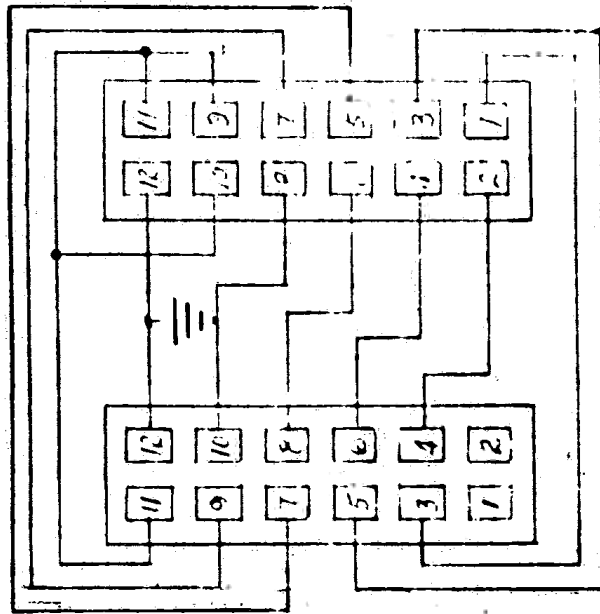


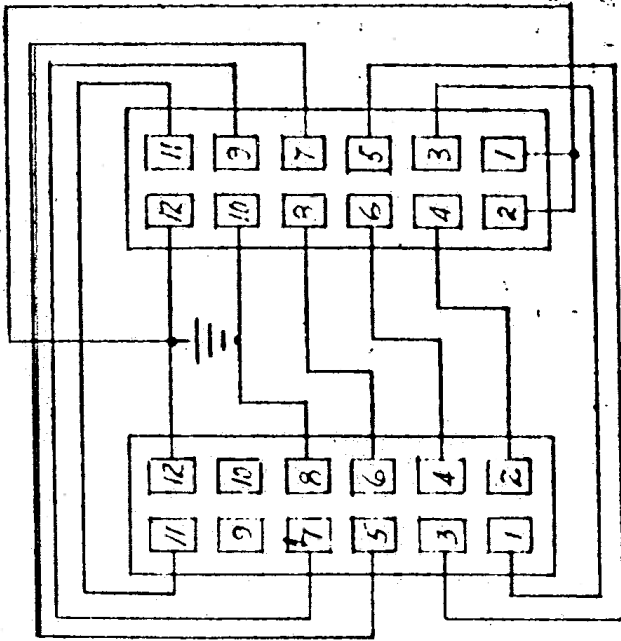
-2 SHIFTER



S

P

+2 SHIFTER



S

P

MOORE SCHOOL OF ELECTRICAL ENGINEERING
UNIVERSITY OF PENNSYLVANIA

SHIFTER (-2 & +2)

MATERIAL FINISH SCALE

Drawn by:
MSM
OCT 28/1944

Checked by:
A. G. ...
C. ...

Approved by:
[Signature]
16/30/44

PX-4-10AA

REVISIONS

Drawing Number 2115
PX-4-10A New PX-4-10AA
SEMI-FINAL REVISION
[Signature] 7/2/45