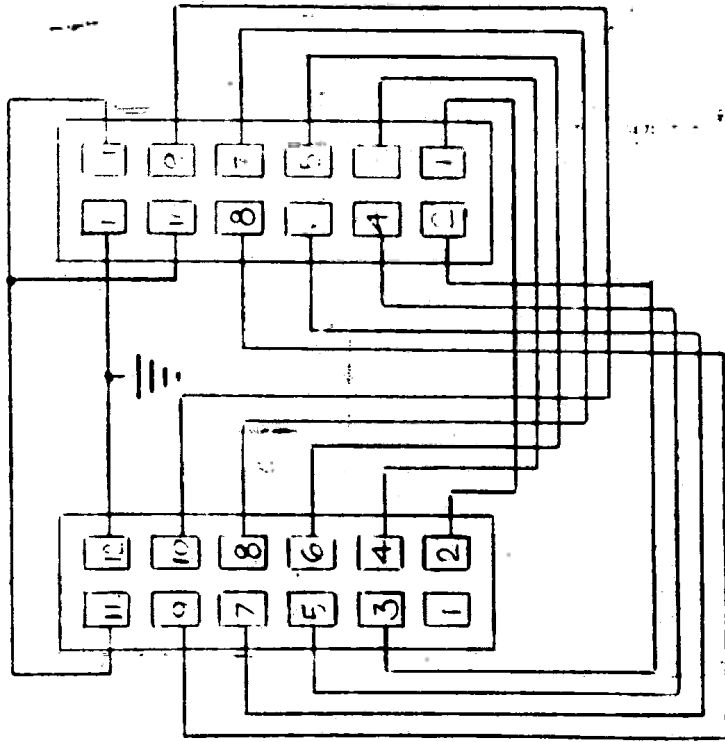
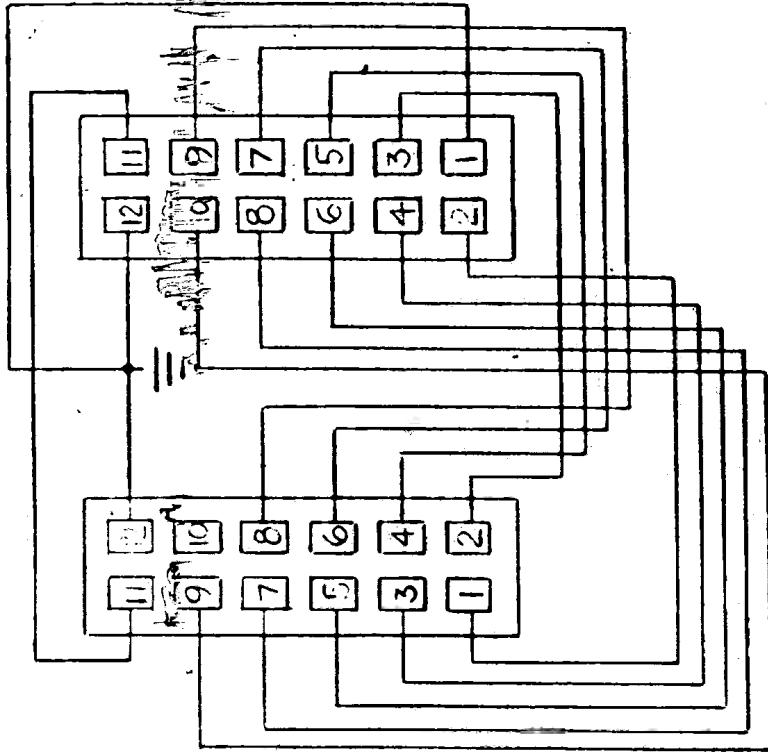


-1 SHIFTER



+1 SHIFTER



P

S

MOORE SCHOOL OF ELECTRICAL ENGINEERING
UNIVERSITY OF PENNSYLVANIA

SHIFTER (-1 & +1) UNITS

MATERIAL

FINISH

Drawn by:
J. EDELSACK
OCT 28, 1944

Checked by:
RWB
10/20/44

Approved by:
RTA
10/30/44

PX-4-10A-B

Revisions
DRAWING NUMBER WAS
PX-4-10A (REV) PX-4-10A-B
SEMI-FINAL REVISION
RTA AND T/1944