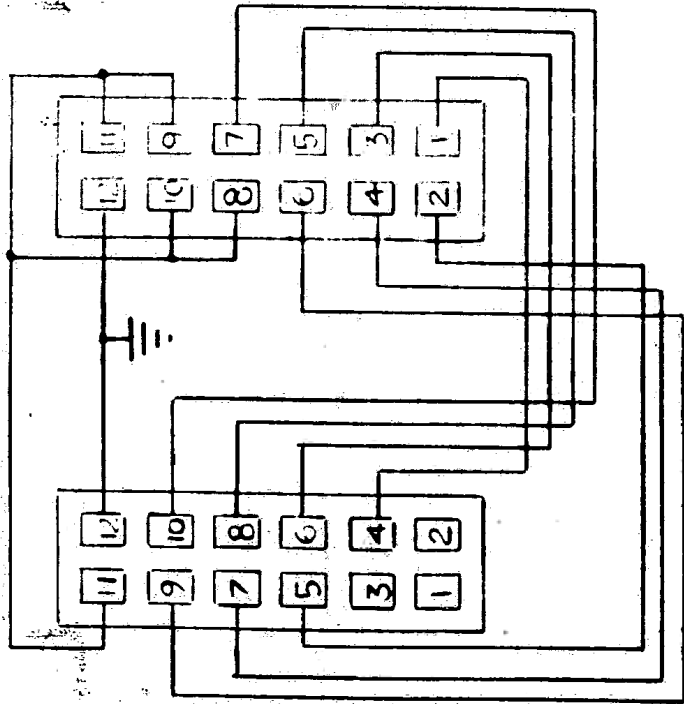


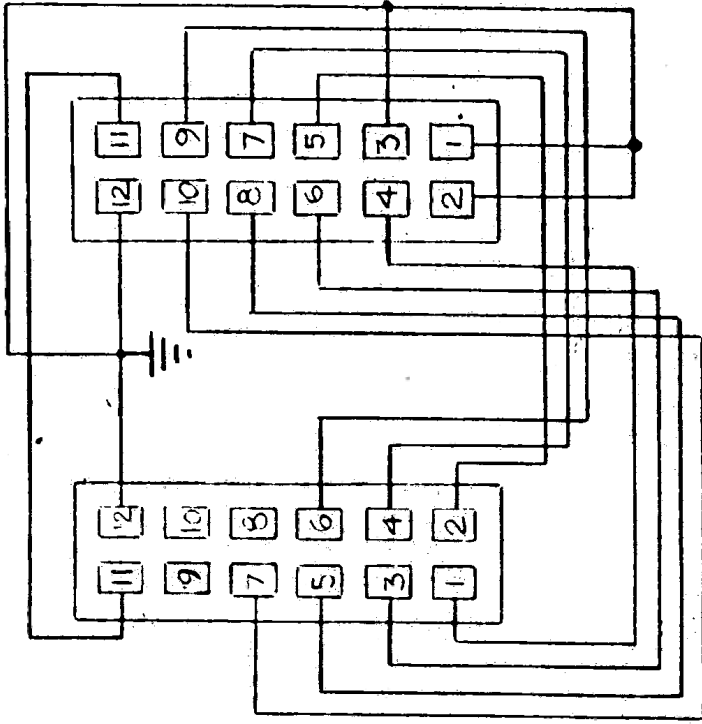
-3 SHIFTER



S

P

+3 SHIFTER



S

P

MOORE SCHOOL OF ELECTRICAL ENGINEERING
UNIVERSITY OF PENNSYLVANIA

SHIFTER (-3 & +3)

MATERIAL

FINISH

SCALE

Drawn by:
J. EDELSACK
OCT 28, 1944

Checked by:
A. G. ...
10/30/44

Approved by:
R. J. ...
10/30/44

PX-4-104C

REVISIONS
DRAWING NUMBER WAS
PX-4-106 Now PX-4-104C
Semi-Final Revision
R. J. Moore 7/3/45