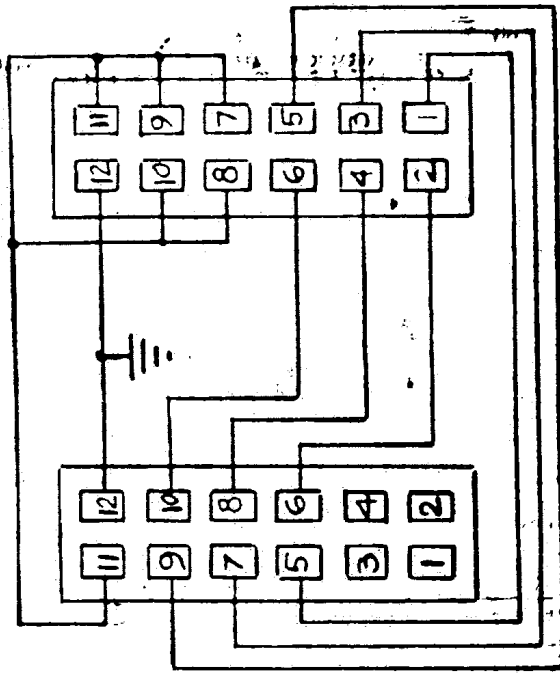


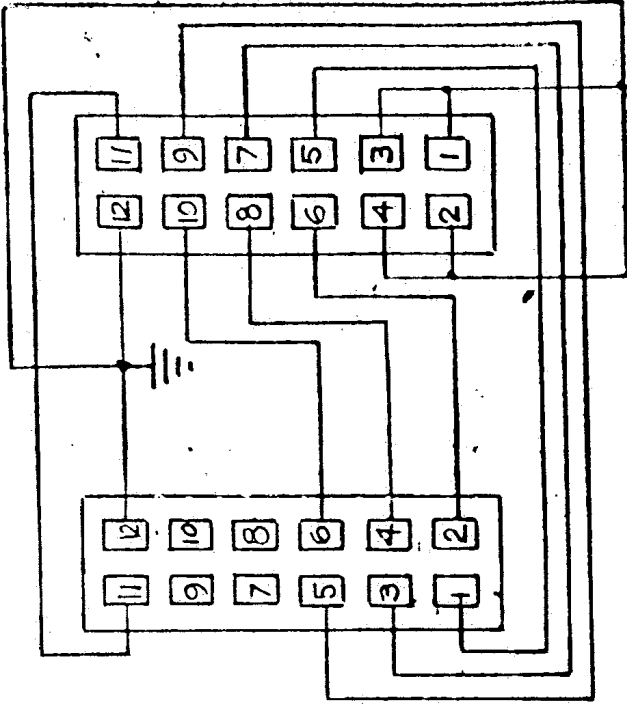
-4 SHIFTER



S

P

+4 SHIFTER



S

P

MOORE SCHOOL OF ELECTRICAL ENGINEERING  
UNIVERSITY OF PENNSYLVANIA

SHIFTER (-4 & +4)

SCALE

FINISH

Drawn by:  
J. EDELSACK  
OCT 29, 1944

Checked by:  
JW T  
10/29/44

Approved by:  
KFD  
10/30/44

PX-4-104-D

Revisions  
Drawings Numbered as  
PX-102 Now PX-4-104-D  
Send Final Revision  
P7-Block 7/45 1