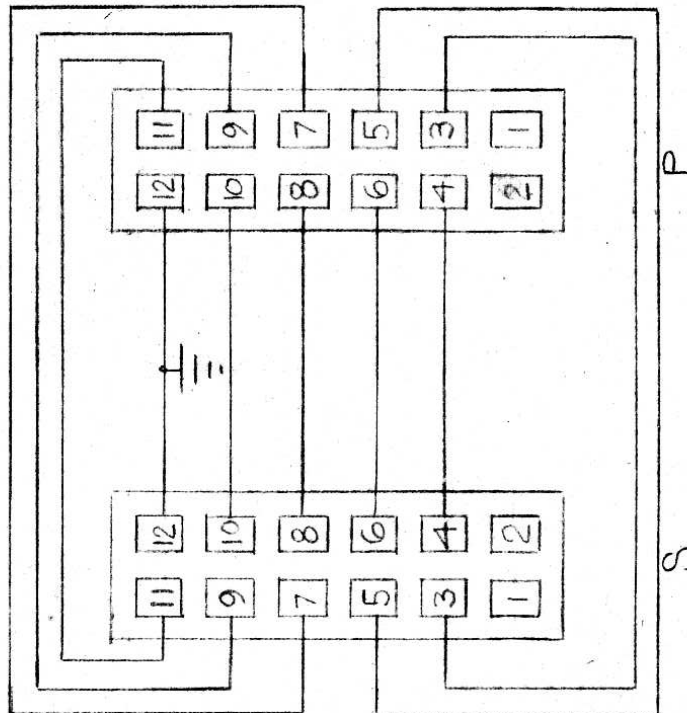


EXAMPLE:
DELETER No. 8



DELETER NO.	OMIT CONNECTIONS
9	S ① TO P ①
8	S ① TO P ① S ② TO P ②
7	S ① TO P ① S ② TO P ② S ③ TO P ③
6	S ① TO P ① S ② TO P ② S ③ TO P ③ S ④ TO P ④
5	S ① TO P ① S ② TO P ② S ③ TO P ③ S ④ TO P ④ S ⑤ TO P ⑤
4	S ① TO P ① S ② TO P ② S ③ TO P ③ S ④ TO P ④ S ⑤ TO P ⑤ S ⑥ TO P ⑥

MOORE SCHOOL OF ELECTRICAL ENGINEERING
UNIVERSITY OF PENNSYLVANIA

DELETERS

SCALE

FINISH

MATERIAL

Drawn by:
J. EDELSACK
OCT. 30, 1944

Checked by:
JWB
10/20/44

Approved by:
RJA
10/20/44

PX-4-100

CONNECTIONS REVISED.
dwb
SEMI-FINAL REVISION 7-9-45
EXAMPLE SHOWN.
dwb
7-23-45