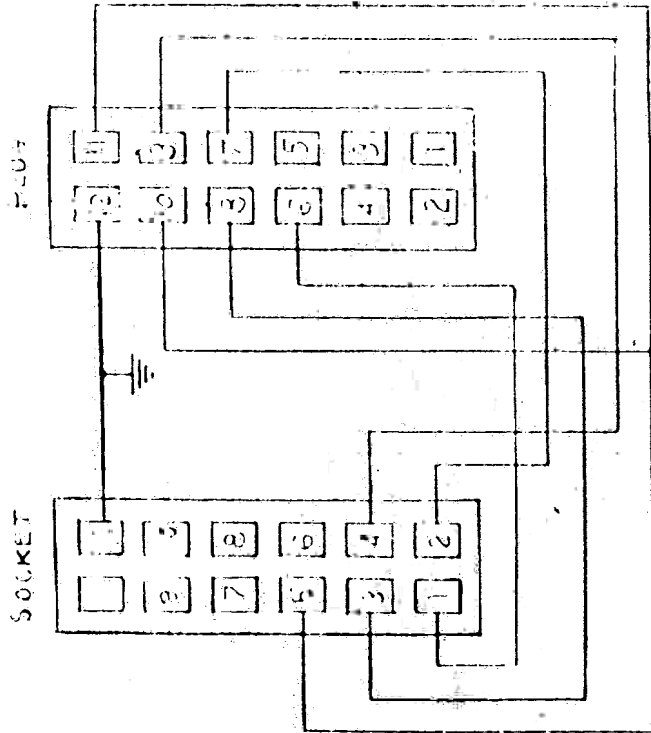


FOR EXAMPLE
ADAPTOR TWO 4A



NO. 7A

SOCKET	PLUG
/	/
/	/
/	/
/	/
6	1
7	2
8	3
9	4
10	5
/	6
12	12-GND

NOTE:

ADAPTOR NO. 2A IS THE SAME
AS PX-4-105 - DELETER NO. 5.

No. 3A

SOCKET	PLUG
/	/
/	/
/	/
/	/
/	/
/	/
/	/
/	/
/	/
/	/
12	12-GND

No. 4A

SOCKET	PLUG
/	/
/	/
/	/
5	10, 11
/	/
/	/
/	/
/	/
/	/
/	/
12	12-GND

No. 5A

SOCKET	PLUG
/	/
2	6
/	/
4	5
/	/
/	/
/	/
/	/
/	/
/	/
12	12-GND

No. 6A

SOCKET	PLUG
/	4
2	5
/	/
/	/
/	/
/	/
/	/
/	/
/	/
/	/
12	12-GND

No. 8A

SOCKET	PLUG
/	/
6	1
7	2
4	3
5	4
8	6
9	7
10	8
11	9
/	/
12	12-GND

No. 10A

SOCKET	PLUG
/	/
2	3
3	5
1	4
5	5
6	6
7	7
8	8
9	9
10	10
/	/
12	12-GND

MOORE SCHOOL OF ELECTRICAL ENGINEERING
UNIVERSITY OF PENNSYLVANIA

ADAPTORS FOR PROBLEM "A"

SCALE

DESIGN BY
H. CALDWELL ECKERT

CHARGED BY

J. S. ...

NOV. 16, 1945

APPROVED BY:

PX 4-117