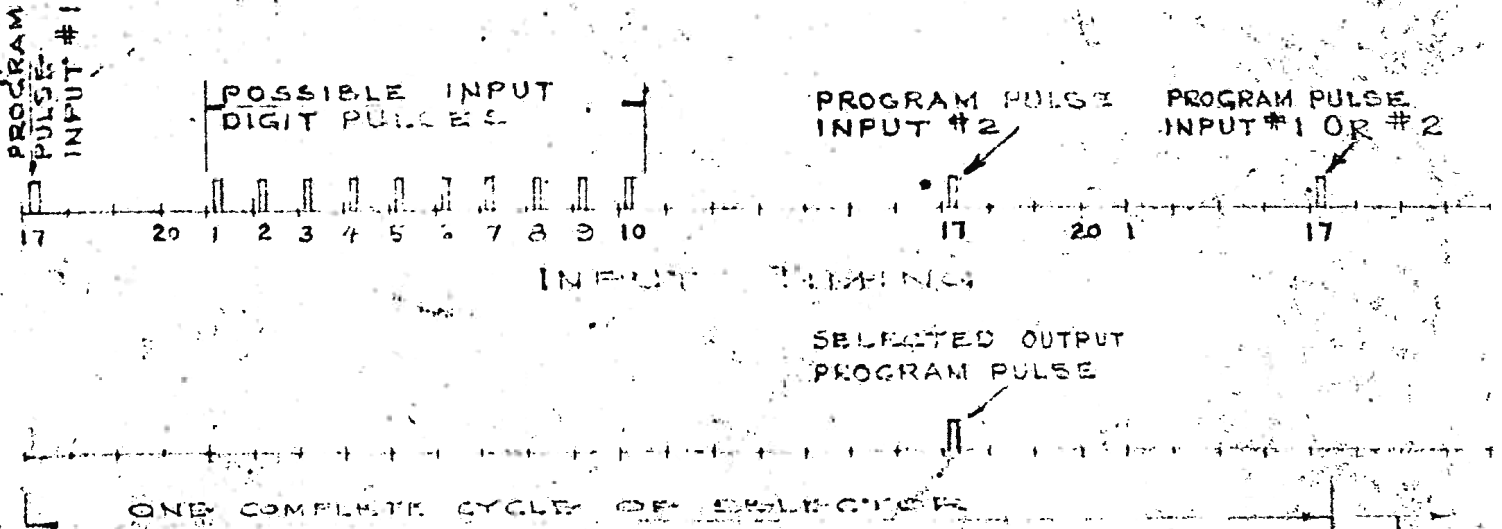
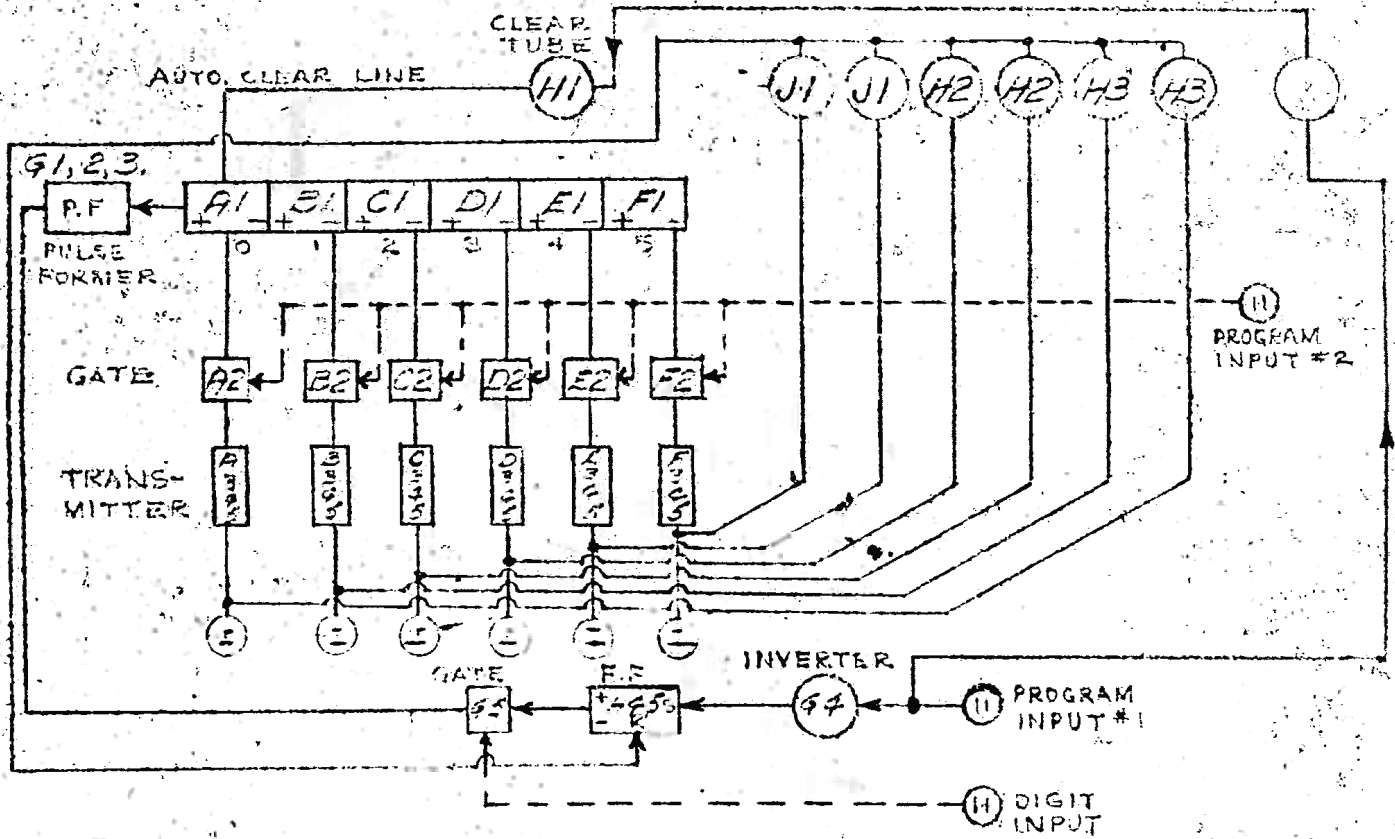


FUNCTION TABLE SELECTOR



AUTOMATIC CLEARING OF RING & RESETTING OF PF OCCURS

MINN. C.A. 4-67 CIV 138

PLAINTIFF'S TRIAL EXHIBIT
No. 22277

FUNCTION TABLE SELECTOR
 TIMING

015365

PX 4-305

PX-4-305