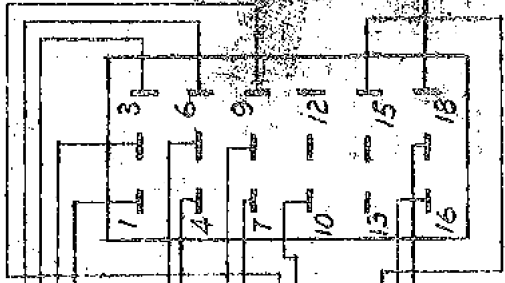
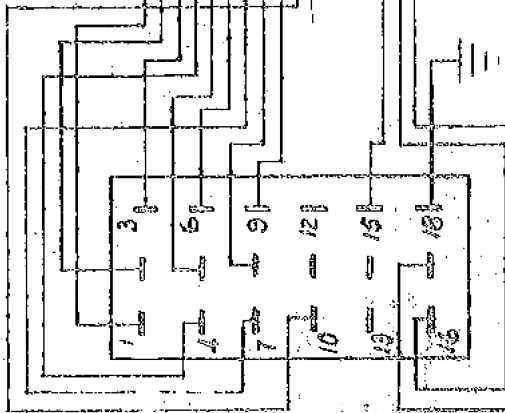


PU OR PT



PU OR PT



NOV 20 1947

MOORE SCHOOL OF ELECTRICAL ENGINEERING
UNIVERSITY OF PENNSYLVANIA

PA-5-110

Drawn by: MSJM
Checked by: TK
Approved by:

Jan 14, 1948

#18 TERMINALS
#13 TIE INS. CONDUCT
SHIELDING INSULATION
#13 CONN. REMOVED
#19/1947-75
TITLE CHANGED.
1/22/48
TITLE CORRECTED.
SEMI-FINAL REVISION
O.K. B. 1-27-48 2