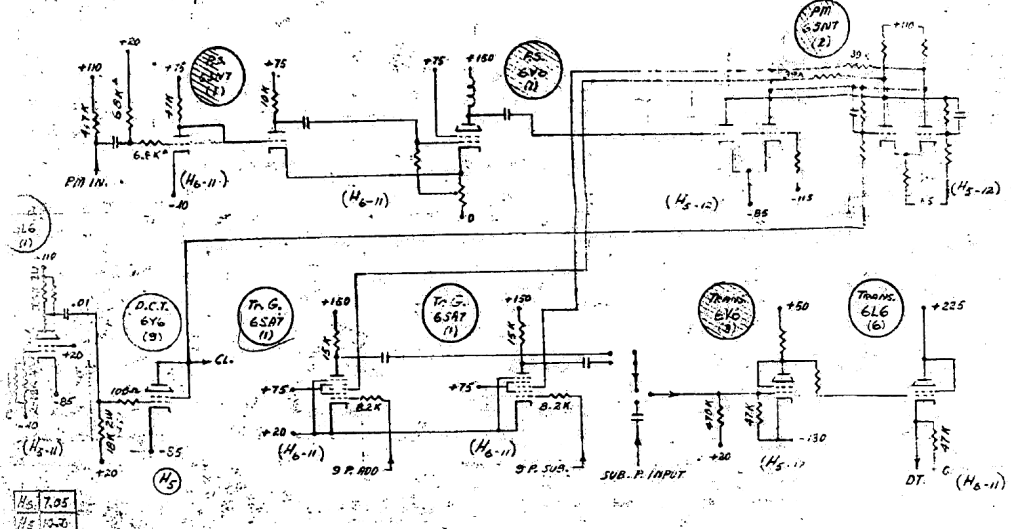
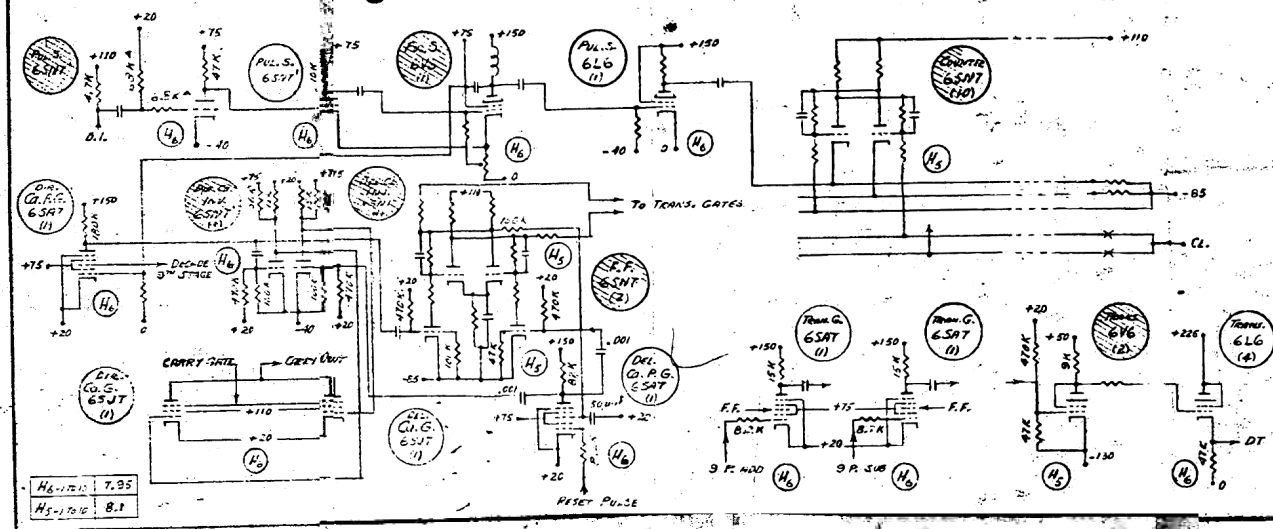


1 PM & CLEAR UNIT PER ACCUMULATOR (DRWG. PX-5-108)

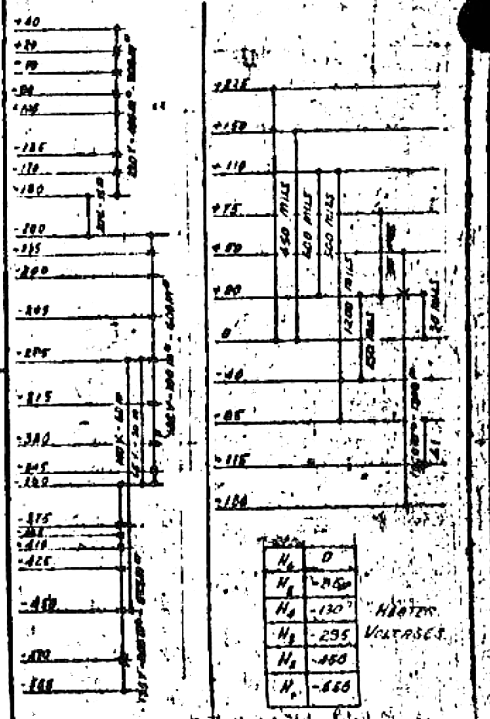


10 DECADE UNITS PER ACCUMULATOR (DRWG. PX-5-33)

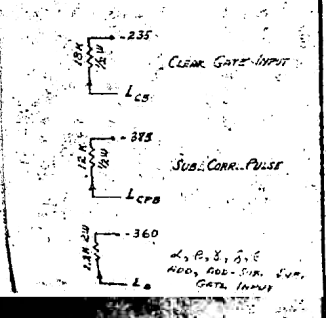


POWER SUPPLY REQUIREMENTS

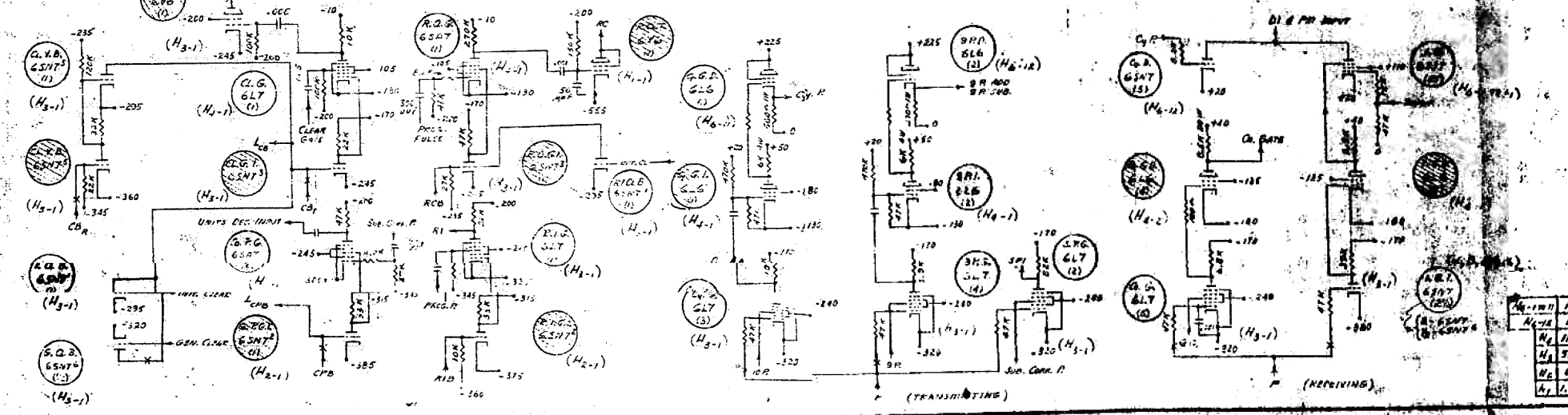
- Draws on Bus for 1 Accumulator
- Proposed Power Supplies Shown Diagram & Drawn With & Without \* Bleeders for Operating 2 Accumulators.



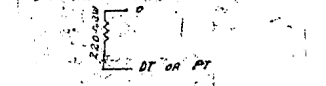
1 LOAD BOX PER ACCUM. (DRWG. PX-5-109)



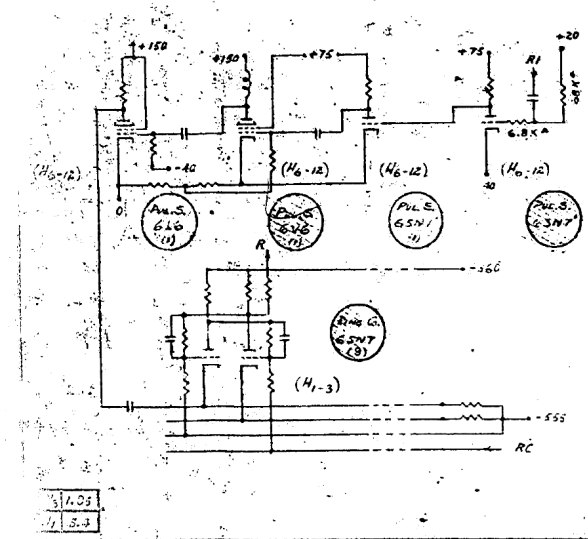
1 GATE UNIT PER ACCUMULATOR (DRWG. PX-5-117)



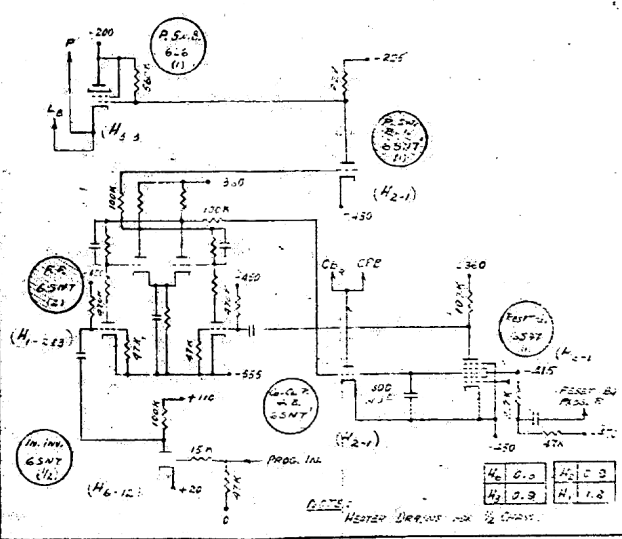
1 UNIT OR PROVISION THAT LOAD BOX (DRWG. PX-5-113)



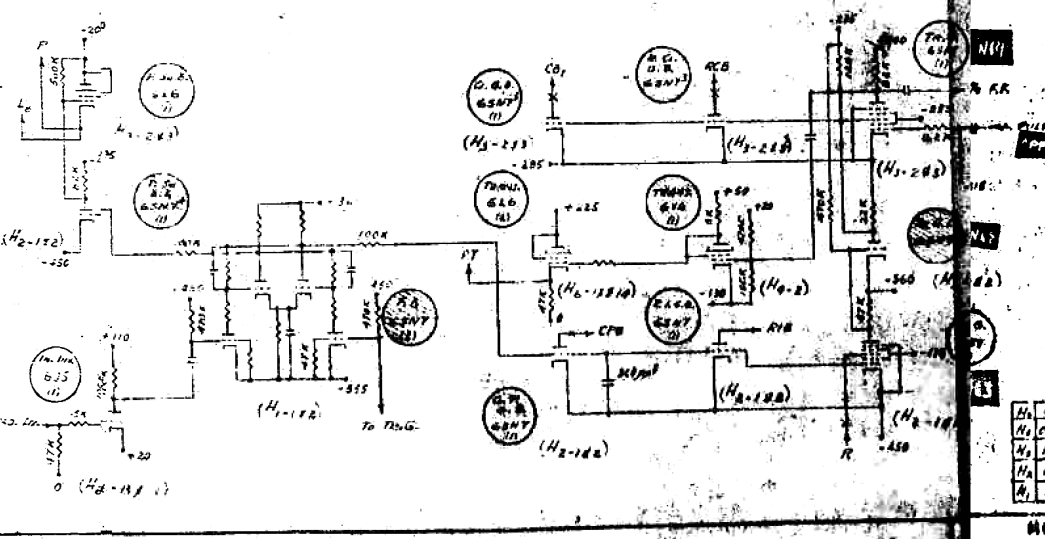
3 TUBE PER ACCUMULATOR (DRWG. PX-5-49)



4 RECEIVER UNITS PER ACCUMULATOR (DRWG. PX-5-42)



8 TRANSCEIVER UNITS PER ACCUMULATOR (DRWG. PX-5-47)



NOTES:

1. Tube Function Legend as per legend on Draw. No. PX-5-117
2. Tube Conventions (A) for Provisions (B) for Heater Connections
3. Draw. No. Refers to Units Diagram
4. Tube Function Legend as per legend on Draw. No. PX-5-117
5. (H) Heater Connections
6. Heater Currents Given per Unit in Diagram
7. X Indicates Switching or Other Interconnecting Features
8. See Note on Draw. No. PX-5-33

MOORE SCHOOL OF ELECTRICAL ENGINEERING  
UNIVERSITY OF PENNSYLVANIA

CROSS SECTION OF ACCUMULATOR CIRCUITS

Drawn by:	Checked by:	Approved by:	PX-5-115
MSM	[Signature]	[Signature]	

1. The circuit shown is a simplified representation of the actual circuit. It is intended to show the general arrangement of the components and the flow of current. It is not intended to be used for the construction of the circuit.

2. The components shown in the diagram are standard components and are available from most electronic component suppliers.

3. The power supply requirements for the circuit are given in the diagram. It is important to use the correct power supply for the circuit to ensure proper operation.

4. The heater connections for the vacuum tubes are shown in the diagram. It is important to connect the heaters correctly to ensure proper operation of the tubes.

5. The tube function legend is given in the diagram. It is important to use the correct tube function legend for the circuit to ensure proper operation.

6. The tube conventions are given in the diagram. It is important to use the correct tube conventions for the circuit to ensure proper operation.

7. The draw. no. refers to the units diagram. It is important to use the correct draw. no. for the circuit to ensure proper operation.

8. The tube function legend as per legend on draw. no. PX-5-117 is given in the diagram. It is important to use the correct tube function legend for the circuit to ensure proper operation.

9. The heater connections are given in the diagram. It is important to use the correct heater connections for the circuit to ensure proper operation.

10. The heater currents given per unit in the diagram are given in the diagram. It is important to use the correct heater currents for the circuit to ensure proper operation.

11. The X indicates switching or other interconnecting features. It is important to use the correct X for the circuit to ensure proper operation.

12. See note on draw. no. PX-5-33.