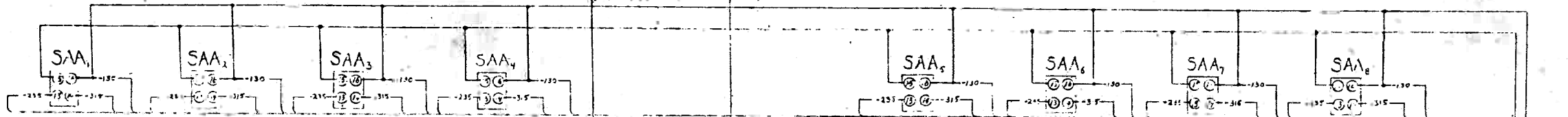


**SBUT<sub>1-8</sub>**

#	Terminal Conn.
1	Output A1
2	" " A2
3	" " B1
4	" " B2
5	" " C1
6	" " C2
7	" " J1
8	" " J2
9	INPUT C
10	" " C
11	" " B
12	" " A

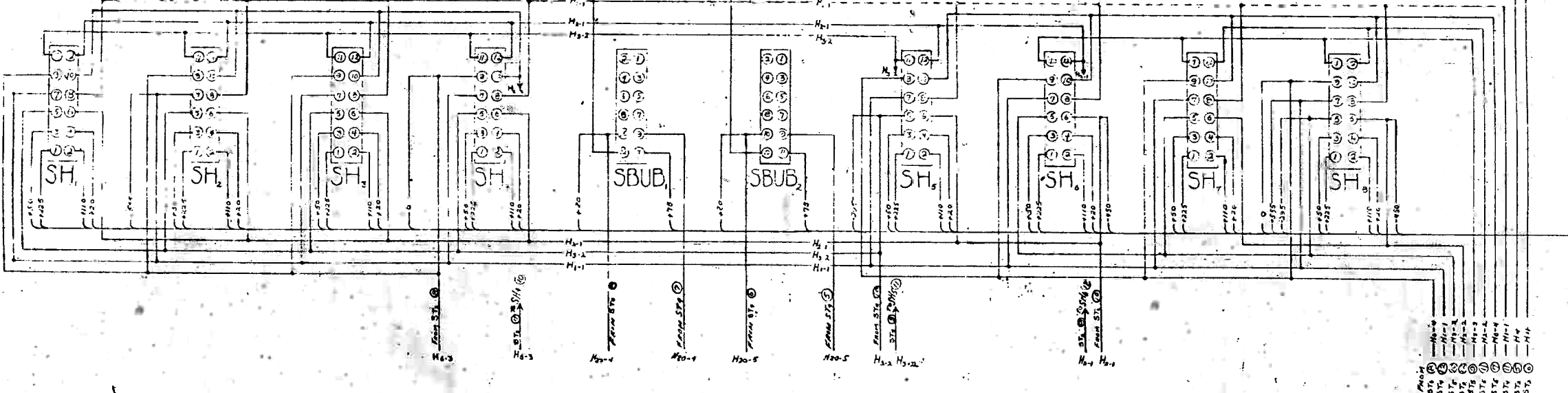
**SG<sub>1-8</sub>**

#	Terminal Conn.
1	Power Input
2	Power Output
3	Power Output
4	Power Output
5	Power Output
6	-100V
7	Control Power
8	-360V
9	Control Power
10	-415V
11	-415V
12	Common Input



**SAA<sub>1-8</sub>**

#	Terminal Conn.
13	-235V
14	-315V
15	" " C
16	-750 + Heater



**SBUB<sub>1,2</sub>**

#	Terminal Conn.
1	" "
2	" "
3	" "
4	" "
5	" "
6	" "
7	" "
8	" "
9	" "
10	" "
11	" "
12	" "

**SH<sub>1-8</sub>**

#	Terminal Conn.
1	+225V
2	+115V
3	+50V
4	+20V
5	+20V
6	+20V
7	+555V
8	+115V
9	+10V
10	+10V
11	+75V
12	+75V

**VOLTAGES ON THIS CHASSIS**

0 PR	-130 PL
+20 PR	-200 PL
+50 PR	-255 PL
+75 PR	-295 PL
+110 PR	-315 PL
+155 PR	-360 PL
	-415 PL
	-450 PL
	-555 PL

HEATER LINES TO TRANSISTORS ON PX-6-117

**REVISIONS**

NO.	DATE	DESCRIPTION
1	12-15-49	REVISIONS TO WIRE LIST AND PANEL CONNECTIONS
2	12-15-49	REVISIONS TO WIRE LIST AND PANEL CONNECTIONS
3	12-15-49	REVISIONS TO WIRE LIST AND PANEL CONNECTIONS

ENGINEERING SCHOOL OF ELECTRICAL ENGINEERING  
UNIVERSITY OF PITTSBURGH

**MULTI SOCKET PANEL NO. 1**

DATE: 12-15-49

DESIGNED BY: AWB

CHECKED BY: mshlyy

**PX-6-116**