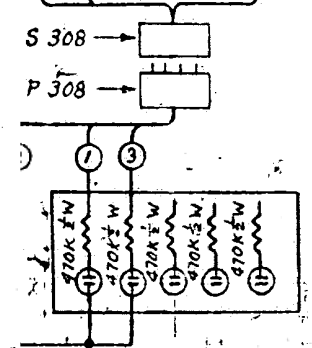


REVISIONS

REVISED.	5-30-45	1
SEMI-FINAL REVISION	6-29-45	2
WIRING ON SOCKETS SV1 TO SV5 AND NEON LAMPS ALTERED FOR 120/209 V. WYE OPERATION.		
	18 June 47	3



MOORE SCHOOL OF ELECTRICAL ENGINEERING UNIVERSITY OF PENNSYLVANIA		
FUNCTION TABLE TRANSFORMER PANEL - PANEL		
MATERIAL	FINISH	SCALE
Drawn by: CJM-C DEC. 7, 1944	Checked by: RFS 7 Dec 44	Approved by: RFS 3 Feb 45 PX-7

TO TIME ON FRONT
PX-7-133

TO PX-7-129
PX-15
PX-16
PX-13

SWITCH ON FRONT
PANEL
PX-7-133