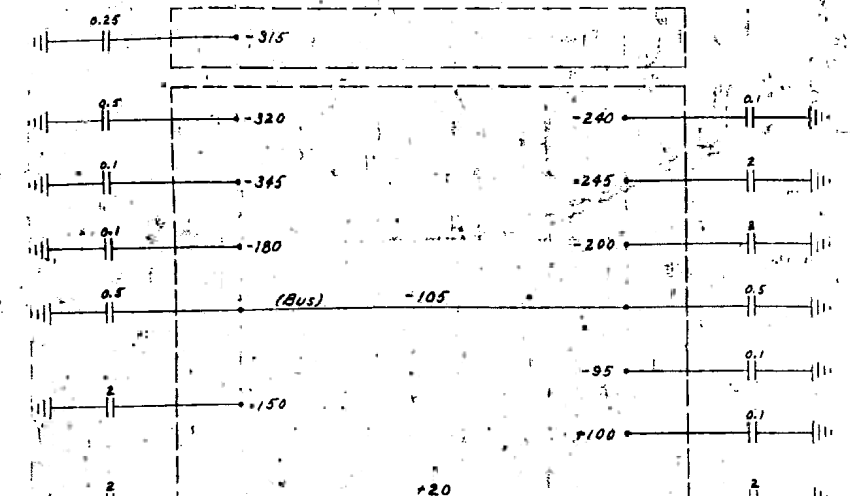
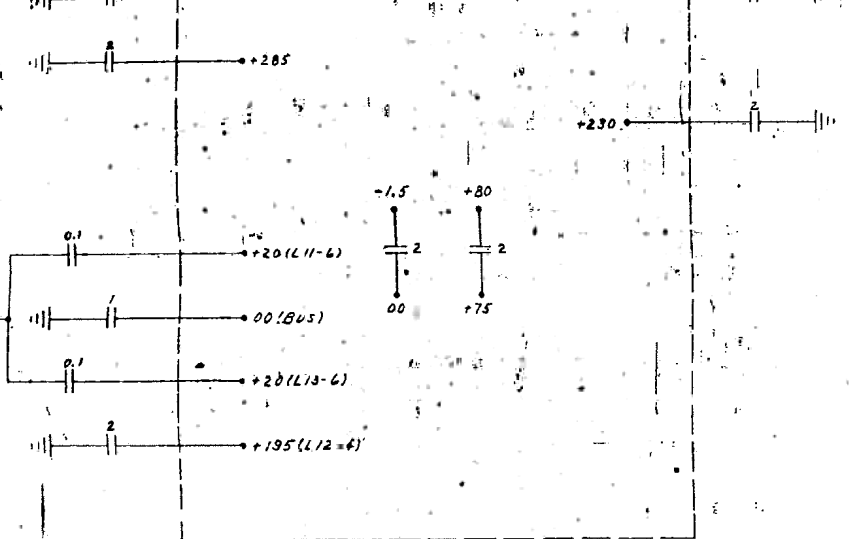


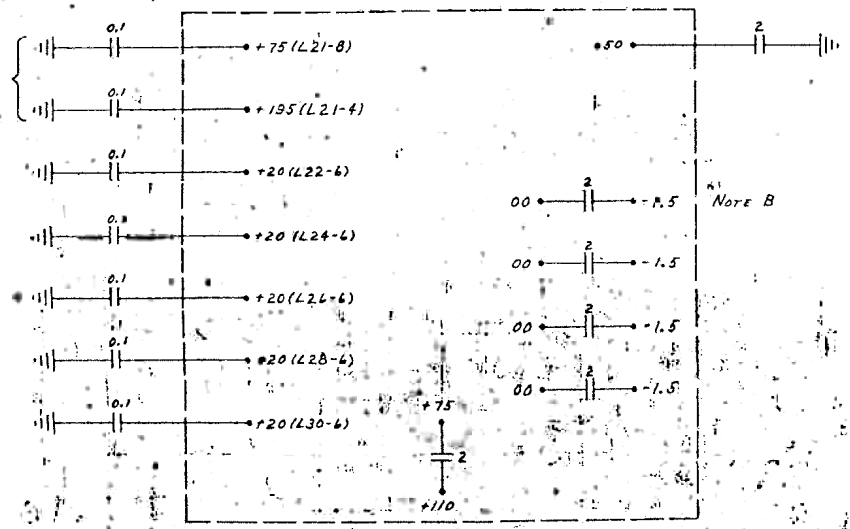
PX-7-126



PX-7-127



NOTE A



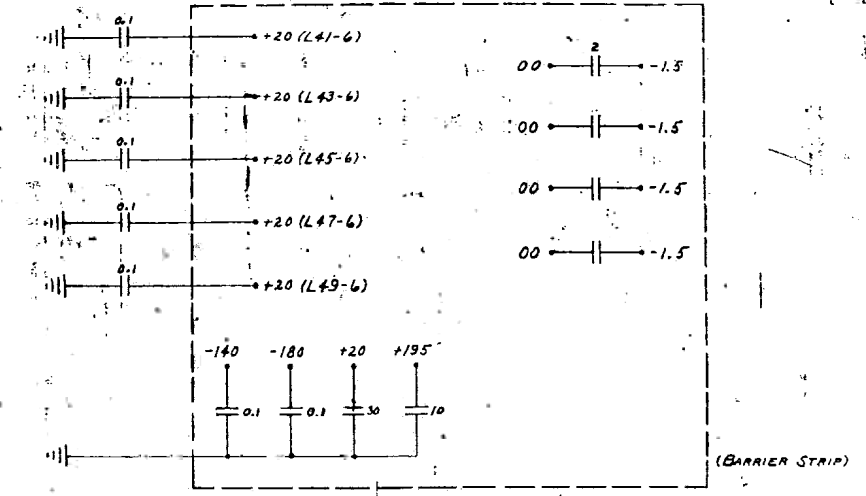
PX-7-128

NOTE A - THESE TWO CONDENSERS REPEATED ON TUBES L23, 25, 27, 29, 31, 42, 44, 46, 48, 50.

NOTE B - 00 TAKEN FROM BUS = 1.5 IS CATHODE CIRCUIT ON NEXT ROW OF 6AC7'S ABOVE AND BELOW BUS.

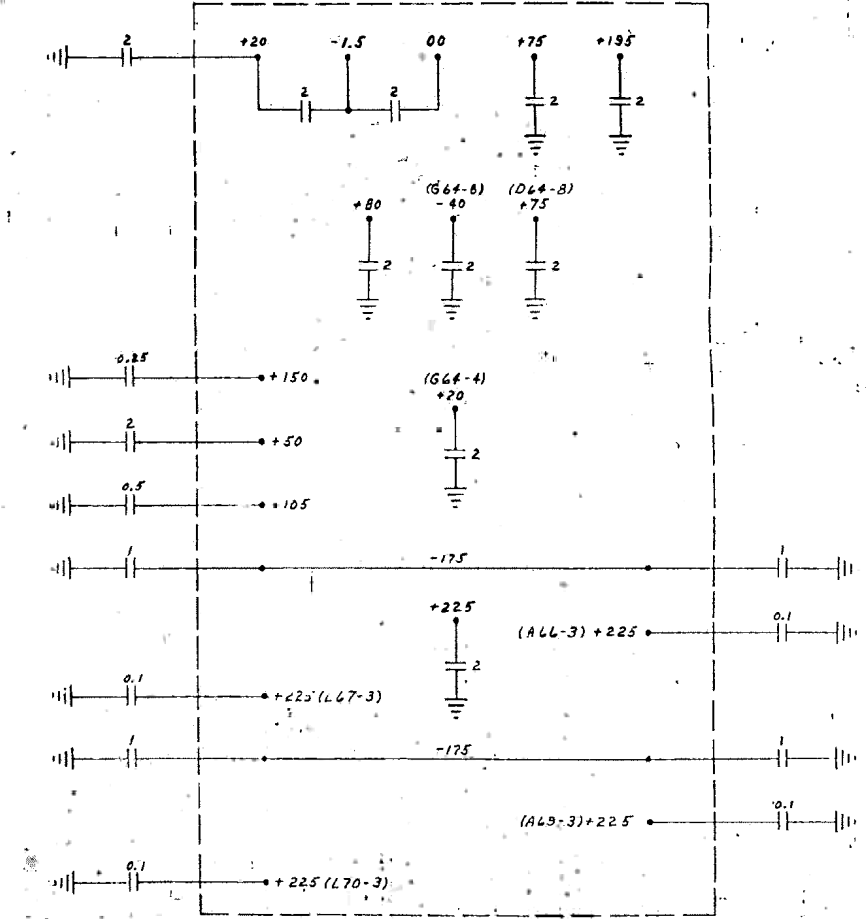
GROUND TO BRAID

PX-7-129



(BARRIER STRIP)

PX-7-130



DESIGNED BY ELECTRICAL ENGINEER G  
 CHECKED BY  
 DATE  
 CUMC 215  
 SEPT 21, 1945  
 PA 7-130