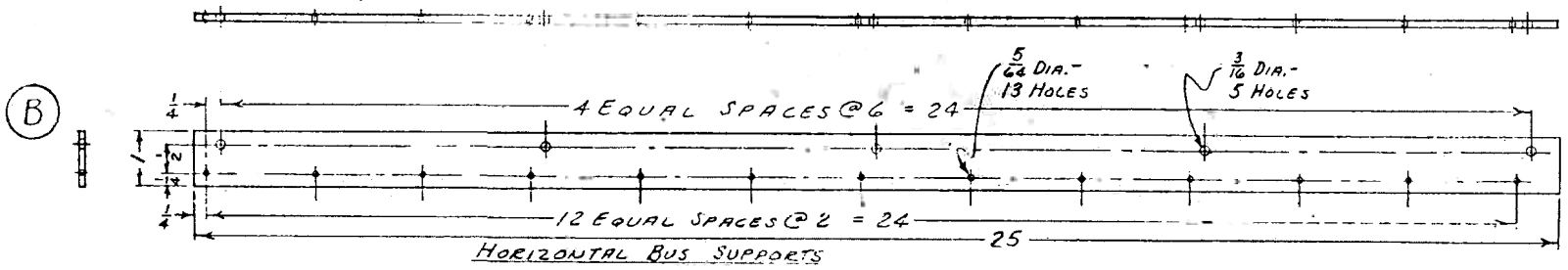
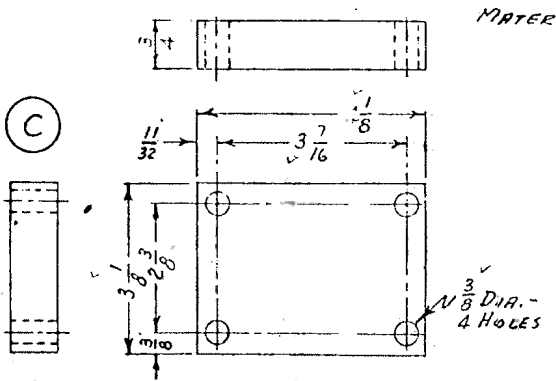


CHANNEL FOR CASTERS  
4 PIECES REQUIRED  
MATERIAL: 5" x 6.7" CHANNEL & 1/4" THICK FLAT IRON

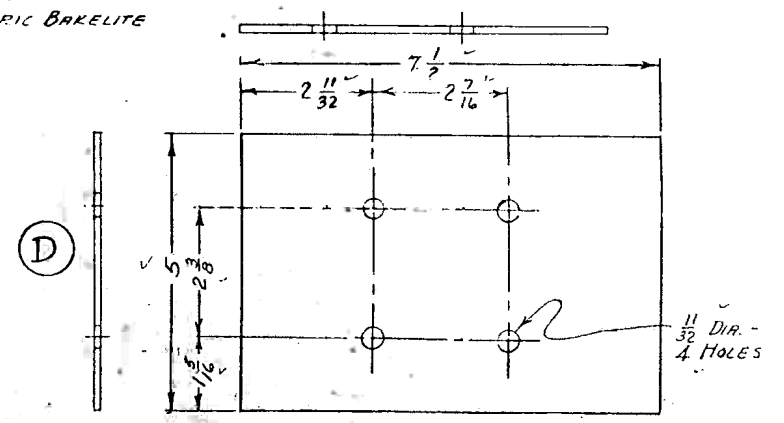
MECHANICAL PARTS LIST			
CODE	DESCRIPTION	QUANTITY REQUIRED	REMARKS
	SWITCH CHASSIS	56	
	END PIECES		
	PART D	1	
	PART E	1	
	PART F	2	
	COVER TOP & BOTTOM PIECES		
	COVER PART A	4	
	BOTTOM PART B	2	
	TOP PART C	2	
	BOTTOM CHANNELS		
	PART B1	1	
	PART B2	1	
	CHANNEL FOR CASTERS	4	
	SHIMS FOR CASTER CHANNELS	4	
	SHIMS FOR CASTERS	8	
PX-7-224	P.M. SWITCH DIAL PLATE	208	
PX-7-225	DIGIT SWITCH DIAL PLATE	1248	
	BASSICK #5683-2 CASTERS	8	
	BASSICK #F-550 TRUCK LOCKS	2	
	HORIZONTAL BUS SUPPORTS	60	
	HINGE	1	
	LOCKING STRIP	1	
	8-32 x 1/2" ROUND H. M. SCREWS	412	
	8-32 x 3/8" ROUND H. M. SCREWS	84	
	8-32 x 3/8" FLAT H. M. SCREWS	12	
	8-32 HEX. NUTS	508	
	8-32 EXT. SHAKE PROOF WASH.	756	
	5/16 x 1 1/2" HEX. HEAD BOLTS, NUTS, L. WASH.	32	
	5/16 x 1" HEX. HEAD BOLTS, NUTS, L. WASH.	12	
	1/2 x 1" HEX. HEAD BOLTS, NUTS, L. WASH.	8	
	6-32 x 1/2" F.H.M. SCREWS, NUTS, SHAF. WASH.	300	



HORIZONTAL BUS SUPPORTS  
60 PIECES REQUIRED  
MATERIAL: 1/16" FABRIC BAKELITE



SHIMS FOR CASTERS  
8 PIECES REQUIRED  
MATERIAL: 7/8" STEEL



SHIMS FOR CASTER CHANNELS  
4 PIECES REQUIRED  
MATERIAL: 1/8" SHEET STEEL

VARIATIONS IN FINISHED DIMENSIONS (UNLESS OTHERWISE MARKED)

MOORE SCHOOL OF ELECTRICAL ENGINEERING  
UNIVERSITY OF MICHIGAN

Nov. 2, 1944