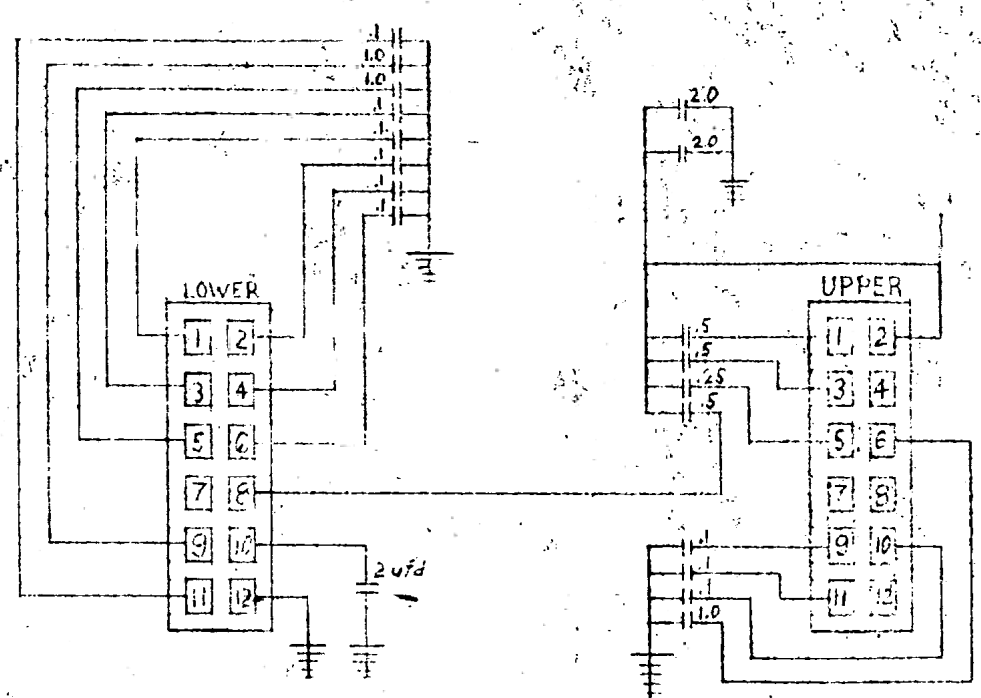
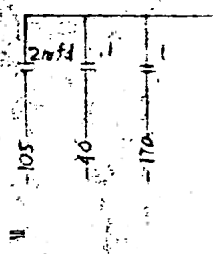
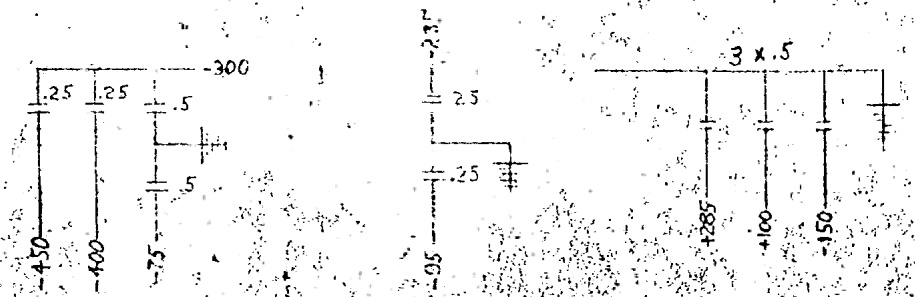


FUNCTION
SELECTOR
CHASSIS



PLUG-IN UNIT



RING BUFFER & PULSE DRIVE CHASSIS

| | |
|-----------------------------------|-----------|
| H.S.F.T. BY-PASS CONDENSER WIRING | |
| T. MITTER | PX-7A-1A2 |