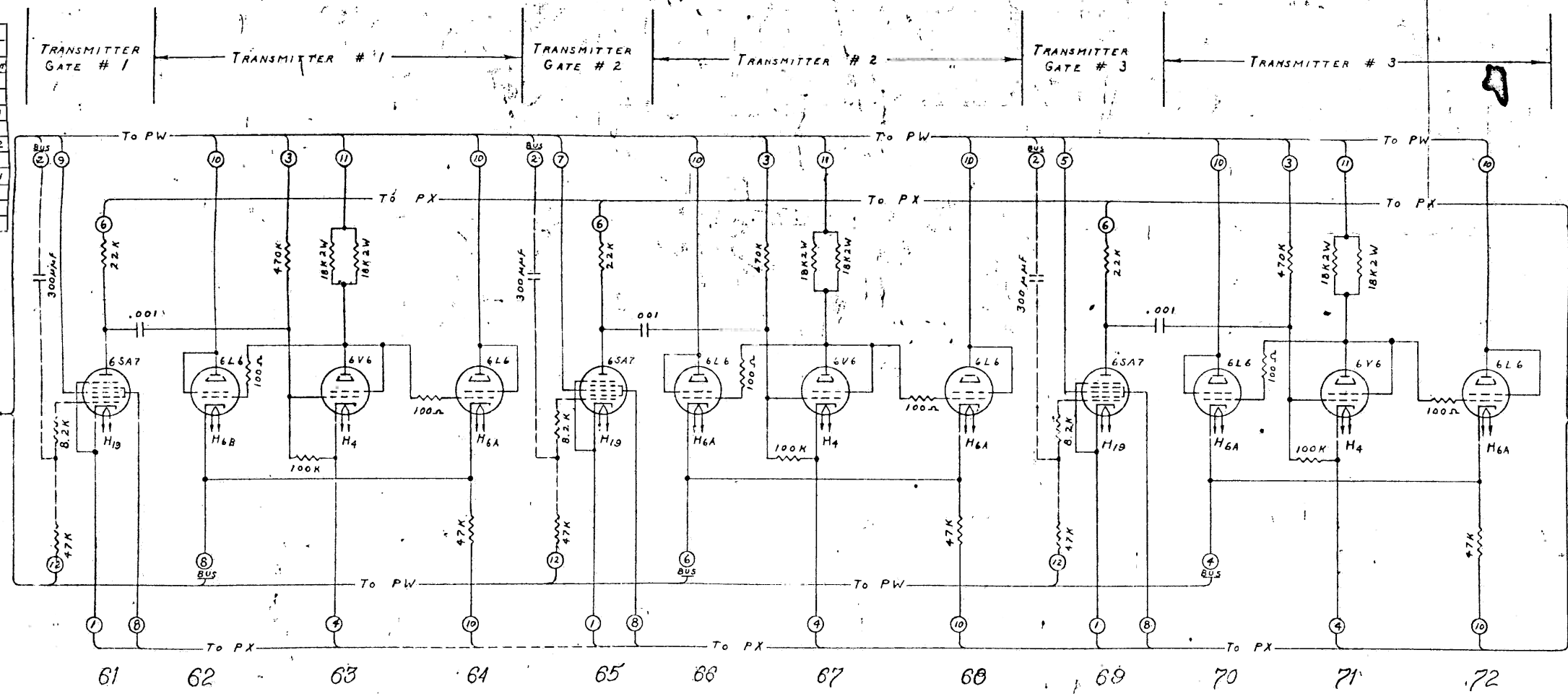
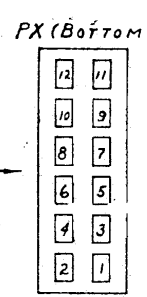
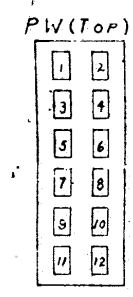


PW	
N.P.	CONV.
1	
2	PULSE IN/OUT INTO GATE UNIT
3	+20
4	START #3
5	TRIGGER #3 PULSE IN/OUT #3
6	START #2
7	TRIGGER #2 PULSE IN/OUT #2
8	START #1
9	TRIGGER #1 PULSE IN/OUT #1
10	+225
11	+50
12	+75

PX	
N.P.	CONV.
1	+35 H19 +20 H20
2	H19 H20
3	H6
4	H4 F-130
5	
6	+230
7	H6B
8	INCL. EX. +75
9	H6A
10	H6, H6B
11	
12	



NOTE:
 1. ALL RESISTORS ARE 1/2 WATT, UNLESS OTHERWISE STATED.
 2. * FOR RESISTORS AND CAPACITORS SO MARKED, SEE CHART ON DRAWING PX-5-133.
 3. 300 µF CAPACITOR, 8.2K & 47K RESISTOR SHOWN BY DASHED LINES ARE NOT USED IN THE TRANSMITTERS USED IN THE CONVERTER.

PLS. TECHNICAL REVISED
 MIB WAS 75
 SEMI-FINAL REVISION
 R. M. MORROW 2-5-45
 PX 8-WAS +150
 R. M. MORROW 20 AUG. 45
 PWT FOR CHARTS REVISED
 NOTE 3 ADDED
 R. M. MORROW 4-1-49

MOORE SCHOOL OF ELECTRICITY
 PITTSBURGH, PENNSYLVANIA
M. P. TRANSMITTER PLUG-IN UNIT

SEP. 20, 1944
 20, 5, 4 44
 41 21 44

CJM:c
 PX-8