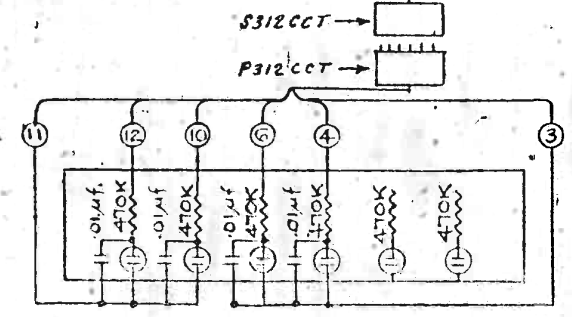


NOTE: ALL RESISTORS ARE 1/2 WATT UNLESS OTHERWISE STATED

- REVISED
- 1 8-21-45
14-1 to H-5 INC. AND
H21-1 to H21-5. All H21-5
H21-1 to H21-5 100.
now H21-1 to H21-5 100
now H21-1 to H21-5 100
 - 2
H21-5 100
H21-5 100
 - 3
PHASE NAMES CHANGED.
SEMI-FINAL REVISION
11-14-45
 - 4
WIRING ON SOCKETS SM1 TO
SM6 & NEON LAMPS ALTERED
FOR 10000 V WYE OPERATION
 - 5
Summary 18 Jan 46



MOORE SCHOOL OF ELECTRICAL ENGINEERING
UNIVERSITY OF PENNSYLVANIA

CYCLING UNIT TRANSFORMER PANEL

MATERIALS	FINISH	DATE
Drawn by: A. GIARDINA 8/14/45	Checked by: <i>[Signature]</i> 8-17-45	Approved by: